

## Assembly Instruction

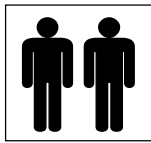
STEPASIDE JUNIOR HIGHSLEEPER (#:FFSHS), (#:FFSHSG)

### Important before assembly:

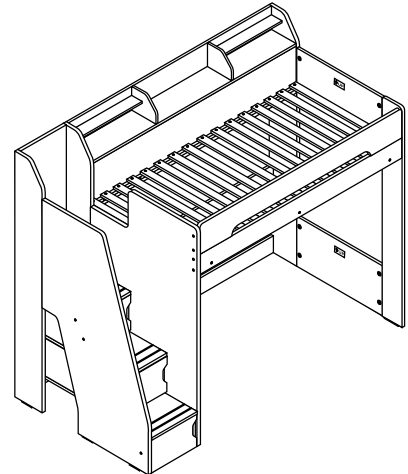
Thank you for purchasing this product. Please read through the instructions carefully before beginning assembly for this product. Before beginning assembly please check the contents of the boxes. These instructions will have a checklist for all of the parts and fittings required. To avoid damaging parts it is recommended to place a rug or carpet on the floor where it's final location to avoid having to move it. DO NOT use power tools as they may cause damage to the products.



\* Approximately 1 Hours



\* 2 People Required



\* **WARNING** : Top Bunks and elevated Beds are dangerous and are not recommended for children under the age of 6.

The upper bunk must be more than 2 m from any ceiling fan.

### **IMPORTANT INFORMATION**

1. This bunk bed is suitable for a single mattress or foam bed 900mm x 1900mm. Thickness of mattress should not exceed 180mm.
2. Children should be discouraged from playing on this bunk bed.
3. The bunk bed should be checked periodically by the owner to ensure that the guardrail, ladder and other components are maintained in the correct position and state of repair and that all connectors are tight.
4. A bunk bed is not to be placed near a ceiling fan unless the distance between the closest points on the ceiling fan and bunk bed is at least 2 meters.
5. Use guardrails on both sides of upper bunk.
6. Prohibit horseplay on or under bed(s).
7. Prohibit more than one person on upper bunk.
8. Use ladder for entering and leaving upper bunk.
9. If the bunk bed will be placed next to the wall, the guardrail that runs the full length of the bed should be placed against the wall to prevent entrapment between the bed and the wall.
10. Fall from elevated beds can be fatal and death have occurred where children have fallen from elevated beds. This is relevant for all ages. The risk is greater for younger children.  
The risk of injury or death from a fall from an elevated bed compared to a non elevated bed is :
  - 10 x greater for 7-8 year olds
  - 7 x greater for 9-10 year olds
  - 3 x greater for 11-12 year olds
11. Top Bunks and elevated Beds are dangerous and are not recommended for children under the age of 6.

### **STRANGULATION HAZARD:**

12. Never attach or hang items to any part of the bunk bed that are not designed for use with the bed for example, but not limited to hook, belt, and jump ropes.

### **HEALTH & SAFETY:**

When lifting heavy products please use assistance.

Small parts must be kept away from children.

Always assemble on a level, even surface.

DO NOT jump on any parts of this product or the final product.


DO NOT use this product with parts missing/damaged.

DO NOT use this product until all fixings are secured.


It is advised to keep these instructions for future reference.



Required tools



Philips Head Screwdriver



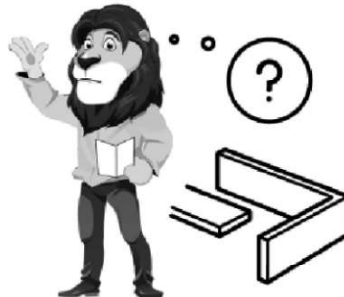
**\*WARNING\*** USING POWER TOOLS TO ASSEMBLE THIS BED IS STRONGLY UNADVISED AS IT MAY BE UNSAFE THE USE OF THESE WILL INVALIDATE ANY CLAIM.



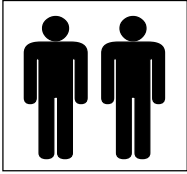
Some parts of this product may be heavy. Please use another person to assist you with lifting.



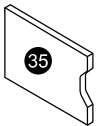
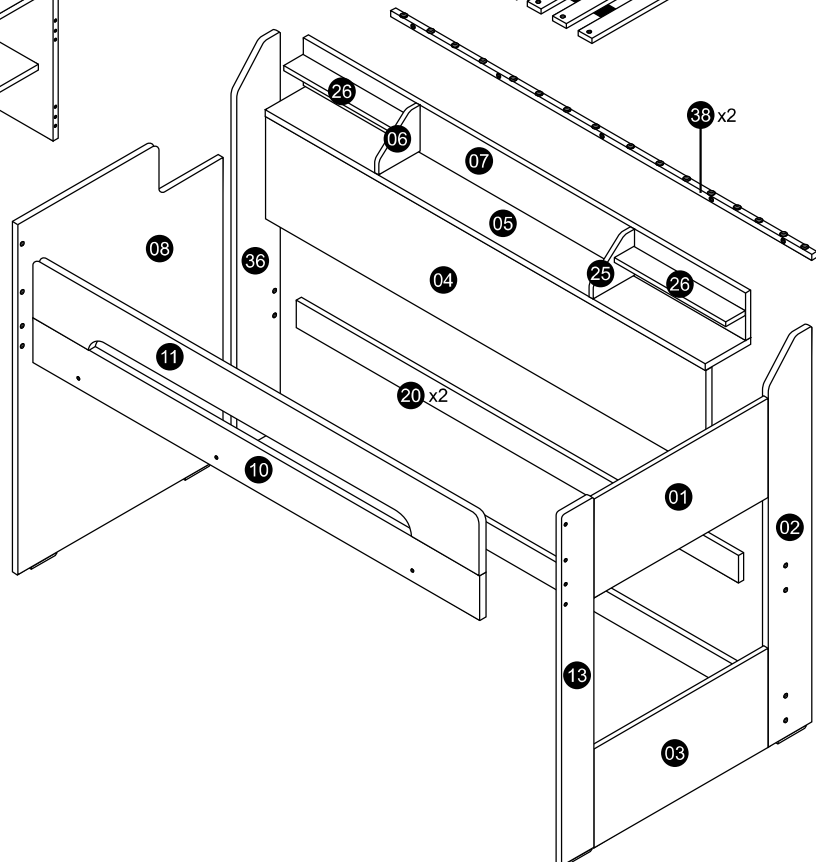
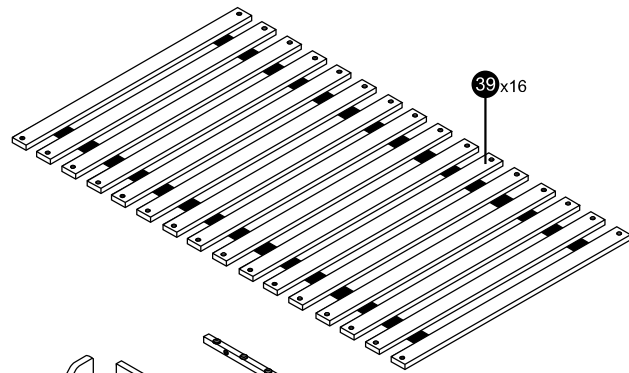
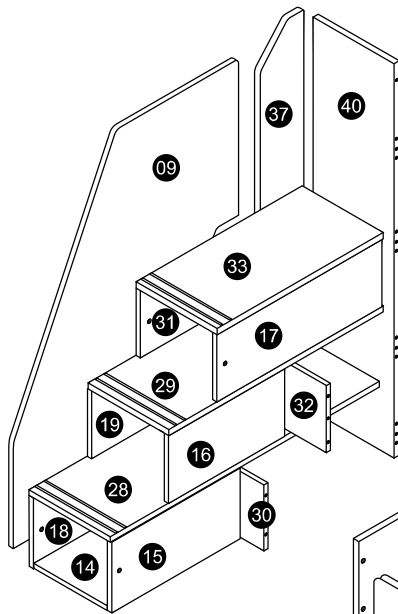
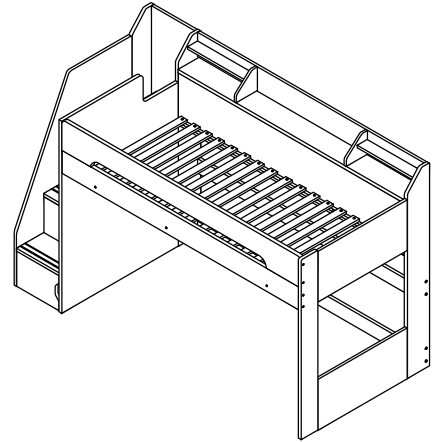
Dragging or pushing pieces of this bed across a hard floor can cause damage to the parts and joints. Please use a rug or carpet to prevent this.



If you have problems assembling or have damaged or missing pieces, please contact us at [orders@flairbeds.co.uk](mailto:orders@flairbeds.co.uk)



\* 2 People Required



## PARTS LIST

### Carton 1 of 4:

Part	Description	Qty
08	LEFT PANEL	1
09	LADDER LEFT PANEL	1
39	LVL SLAT BASE	16
HARDWARE LIST		

### Carton 2 of 4

Part	Description	Qty
01	CENTER PANEL (UPPER)	1
03	CENTER PANEL (LOWER)	1
04	SUPPORT PANEL UPPER (OPEN SHELF)	1
05	BOTTOM PANEL (OPEN SHELF)	1
07	BACK PANEL (OPEN SHELF)	1
10	SIDE PANEL LOWER (TOP FRONT)	1
11	SIDE PANEL UPPER (TOP FRONT)	1
20	BACK SUPPORT PANEL	2
38	BASE SUPPORT RAIL	2






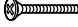





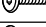
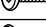

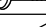



### Carton 3 of 4

Part	Description	Qty
02	RIGHT PANEL (BACK)	1
06	SUPPORT PANEL SMALL LEFT (OPEN SHELF)	1
13	RIGHT PANEL (FRONT)	1
25	SUPPORT PANEL SMALL RIGHT(OPEN SHELF)	1
26	CENTER PANEL (OPEN SHELF)	2
36	LEFT PANEL BACK	1
37	LADDER LEFT PANEL	1

### Carton 4 of 4

Part	Description	Qty
14	LADDER BOTTOM PANEL	1
15	RIGHT PANEL (1ST LADDER STEP)	1
16	RIGHT PANEL (2ND LADDER STEP)	1
17	RIGHT PANEL (3RD LADDER STEP)	1
18	LEFT PANEL (1ST LADDER STEP)	1
19	LEFT PANEL (2ND LADDER STEP)	1
28	TOP PANEL (LADDER)	1
29	TOP PANEL (LADDER)	1
30	BACK PANEL (LADDER)	1
31	LEFT PANEL (3RD LADDER STEP)	1
32	BACK PANEL (LADDER)	1
33	TOP PANEL (LADDER)	1
34	DOOR	2
35	DOOR	1
40	LADDER BACK PANEL	1

## HARDWARE LIST: Carton 1 of 4

Part	Description	Qty
A	Cam 	61
B	Cam Stud (5137) 	61
C	M8 x 25mm Wood Dowel 	115
D	M6 x 40mm Wood Dowel 	6
E	15mm Chipboard Screw 	52
F	45mm Chipboard Screw 	20
G	Hinges Arm (JASMINE) 	6set
H	Metal Support Plate 	2
J	PVC L Bracket (White Colour) 	4
K	M6 x 12mm Allen Bolt 	8
L	M6 x 25mm Allen Bolt 	4
M	M6 x 30mm Allen Bolt 	32
N	M6 x 35mm Allen Bolt 	10
P	M6 x 50mm Allen Bolt 	9
Q	M6 x 60mm Allen Bolt 	8
R	M6 x 13mm Baller 	17
S	M6 JCN Nut 	10
T	M6 Allen Wrech 	2

## D Montageanleitung

### WICHTIG - AUFMERKSAM LESEN - ZUR SPATEREN EINSICHTNAHME AUFZUBEWAHREN

- a) **WARNUNG** Hochbetten und das obere Bett bei Etagenbetten sind wegen des Verletzungsrisikos durch Stürze nicht für Kinder unter sechs Jahren geeignet.
- b) **WARNUNG** Wenn sie nicht richtig verwendet werden, können Hochbetten und Etagenbetten ein schweres Verletzungsrisiko durch Strangulierung darstellen. Es dürfen niemals Elemente an Teilen des Hochbetts befestigt oder aufgehängt werden, die nicht zur Verwendung mit besagtem Bett bestimmt sind. Diese Elemente umfassen, sind aber nicht beschränkt auf, Seile, Fäden, Schnüre, Haken, Gurtel und Taschen.
- c) **WARNUNG** Kinder können sich zwischen dem Bett und einer Wand, einer gekippten Wandstelle, der Decke, Möbeln in der Nähe (zum Beispiel Schranke) oder anderem einklemmen. Um jedes Risiko einer schweren Verletzung zu vermeiden, darf der Abstand zwischen der oberen Sicherheitsschranke und den Elementen in der Umgebung 75 mm nicht überschreiten oder muss größer als 230 mm sein.
- d) **WARNUNG** Das Hochbett oder das Etagenbett darf nicht verwendet werden, wenn ein Teil des Aufbaus fehlt oder beschädigt ist. Ersatzteile müssen beim Hersteller oder im Laden bestellt werden.
- e) Die Montage- und Gebrauchsanweisungen des Herstellers müssen unbedingt immer befolgt werden.
- f) Die empfohlene Größe der mit dem Bett zu verwendenden Matratze beträgt 1900 mm x 900 mm. Höchstdicke der Matratze: 180 mm.
- g) Es ist notwendig, den Raum zu lüften, um einen geringen Feuchtigkeitsgrad aufrechterhalten und die Entwicklung von Schimmel im Bett und seiner Umgebung zu verhindern.
- k) Die Montagevorrichtungen müssen immer angemessen festgezogen und regelmäßig überprüft werden. Wenn nötig, erneut festziehen.
- l) Entspricht den europäischen Sicherheitsanforderungen der Norm EN 747-1:2012+A1 : 2015.
- m) Wenn ein Nachtlicht vorhanden ist, kann dies im oberen Bett Schlafenden Kind mehr Sicherheit geben.

## EN Assembling instructions

### IMPORTANT - READ CAREFULLY - KEEP FOR FUTURE REFERENCE

- a) **WARNING** Raised beds and the upper bed in a bunk bed assembly are not good for children under 6 years old because of the risk of injury from falling from such beds.
- b) **WARNING** If the raised and bunk beds are not used correctly, they can present a serious risk of injury from strangulation. Never attach or suspend things from the upper bunk bed that are not going to be used with that bed. Such things include - but are not limited to - cords, string, sashes, hooks, belts and bags.
- c) **WARNING** Children can find themselves trapped between the bed and wall, or inclined roof wall, ceiling, adjacent pieces of furniture (such as cupboard) or other items. To avoid any risk of serious injury, the distance between the upper safety barrier and surrounding items should not exceed 75 mm - or the distance should be greater than 230 mm.
- d) **WARNING** Do not use the upper bunk bed or a raised bed if a part of the structure is missing or broken. Spare parts should be requested from the manufacturer or shop.
- e) It is essential that the manufacturer's instructions on assembly and use are followed.
- f) The recommended size of the mattress to be used with the bed is 1900 mm x 900 mm, Maximum mattress thickness: 180 mm.
- g) Mattresses must be aired to maintain a low humidity and to stop moisture building up in the bed and its surroundings.
- k) The fastenings put in place on assembly should all be properly tightened and regularly checked. Retighten the fastenings as necessary.
- l) This complies with the requirements of the European Safety Standard EN 747-1:2012+A1 : 2015.
- m) The presence of a night light could give more safety for a child sleeping in an upper bed.

## FR Notice de montage

### IMPORTANT - LIRE ATTENTIVEMENT - A CONSERVER POUR REFERENCE ULTERIEURE



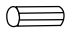
- a) **AVERTISSEMENT** Les lits surélevés et le lit supérieur des lits superposés ne conviennent pas pour les enfants de moins de six ans en raison du risque de blessures liées à des chutes
- b) **AVERTISSEMENT** S'ils ne sont pas utilisés correctement, les lits superposés et les lits surélevés peuvent présenter un sérieux risque de blessure par étranglement. Ne jamais attacher ou suspendre des éléments à des parties du lit superposé qui ne sont pas destinées à être utilisées avec ledit lit. Ces éléments comprennent, sans toutefois s'y limiter, les cordes, les ficelles, les cordons, les crochets, les ceintures et les sacs.
- c) **AVERTISSEMENT** Les enfants peuvent se retrouver coincés entre le lit et un mur, une partie d'un toit incliné, le plafond, des meubles adjacents (par exemple, des placards) ou autre. Pour éviter tout risque de blessure grave, la distance entre la barrière de sécurité supérieure et les éléments environnants ne doit pas dépasser 75 mm ou doit être supérieure à 230 mm.
- d) **AVERTISSEMENT** Ne pas utiliser le lit superposé ou le lit surélevé si une pièce de la structure est manquante ou cassée. Les pièces de rechange doivent être demandées auprès du fabricant ou du magasin.
- e) Il est impératif de toujours suivre les instructions de montage et d'utilisation du fabricant.
- f) La taille recommandée de matelas à utiliser avec le lit est de 1900mm x 900mm, Epaisseur du matelas maximum : 180mm.
- g) Il est nécessaire de ventiler la pièce afin de maintenir un niveau peu élevé d'humidité et d'empêcher le développement de moisissure dans le lit et sa périphérie.
- k) Les dispositifs d'assemblage doivent toujours être convenablement serrés et régulièrement vérifiés. Les resserrer si nécessaire.
- l) Conforme aux exigences européennes de sécurité de la norme EN 747-1:2012+A1 : 2015.
- m) la présence d'une veilleuse de nuit peut procurer plus de sécurité à l'enfant couchant dans le lit haut

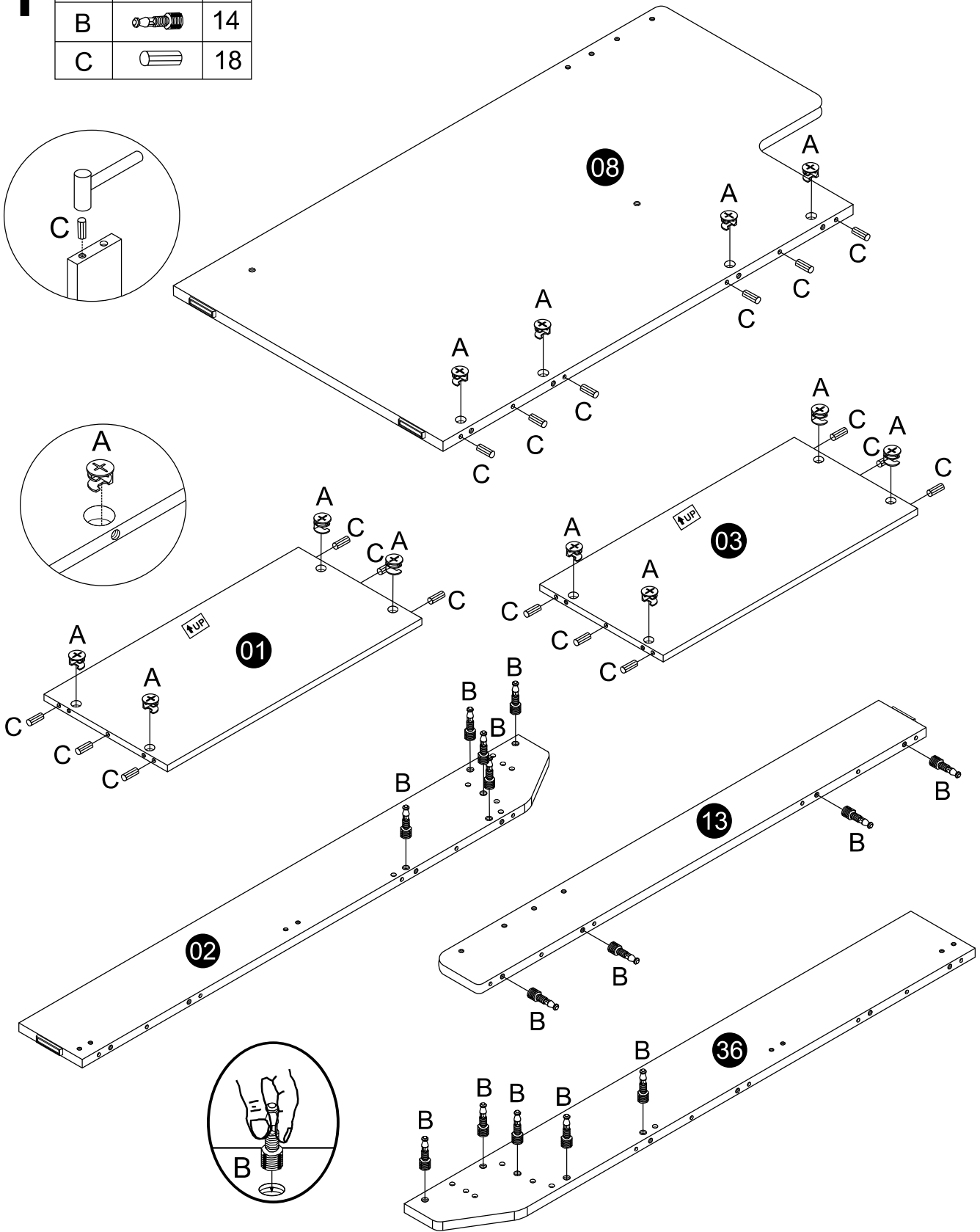
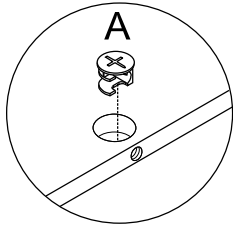
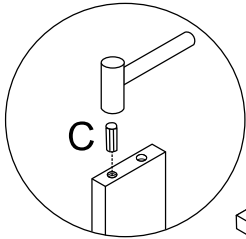
## IT Istruzioni per montaggio

### IMPORTANTE - LER ATENTAMENTE - A GUARDAR PARA REFERENCIA FUTURA





- a) **AVVERTENZE** I letti a soppalco ed il letto superiore dei letti a castello non sono adatti ai bambini di età inferiore ai sei anni per i rischi di lesioni dovute a cadute.
- b) **AVVERTENZE** Se non utilizzati correttamente, i letti a castello ed i letti a soppalco possono rappresentare un importante rischio di lesioni da strangolamento. Non legare o sospendere mai elementi a delle parti del letto a castello che non siano previsti per essere utilizzati con il suddetto letto. Questi elementi comprendono, senza tuttavia esserne limitati, le corde, gli spaghi, i cordoncini, i ganci, le cinghie ed i sacchi.
- c) **AVVERTENZE** I bambini possono ritrovarsi bloccati tra il letto ed un muro, la parte di un tetto inclinato, il soffitto, i mobili adiacenti (per esempio gli armadi) o altro. Per evitare qualsiasi rischio di lesione grave, la distanza tra la sponda di sicurezza superiore e gli elementi circostanti non deve superare 75 mm o deve essere superiore a 230 mm.
- d) **AVVERTENZE** Non utilizzare il letto a castello o il letto a soppalco se un pezzo della struttura manca o se è rotto. I pezzi di ricambio devono essere richiesti al fabbricante o al negozio.
- e) Seguire rigorosamente le istruzioni di montaggio e d'uso del fabbricante.
- f) La misura consigliata del materasso da usare con il letto è di 1900mm x 900mm, Spessore massimo del materasso: 180mm.
- g) Per mantenere un livello poco elevato di umidità, e per impedire lo sviluppo di muffa nel letto e intorno al letto, ventilare la stanza.
- k) I dispositivi d'assemblaggio devono sempre essere adeguatamente stretti e regolarmente verificati. Ristringergli se necessario.
- l) Conforme alle esigenze europee di sicurezza della norma EN 747-1:2012+A1 : 2015.
- m) la presenza di una luce notturna può dare più sicurezza al bambino che dorme nel letto superiore.

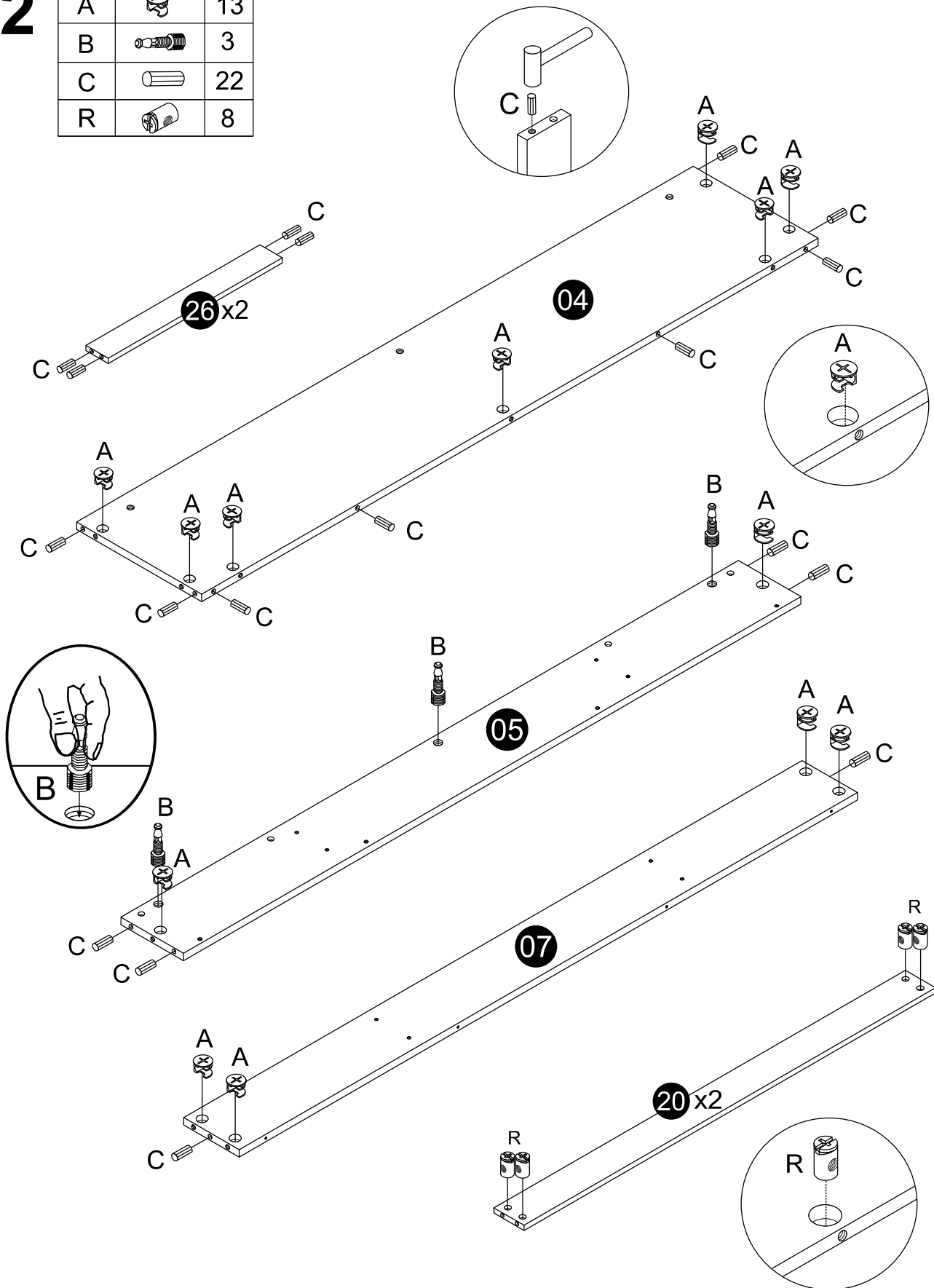
1

A		12
B		14
C		18

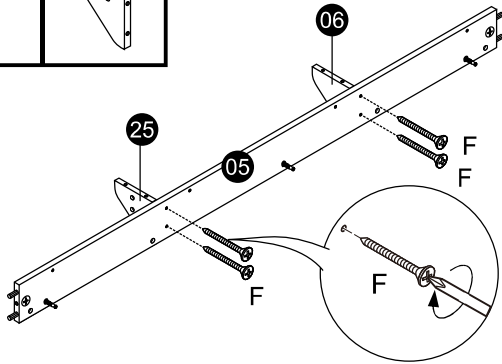
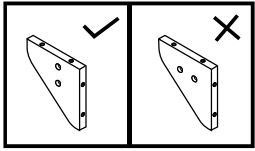
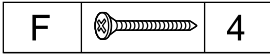


2

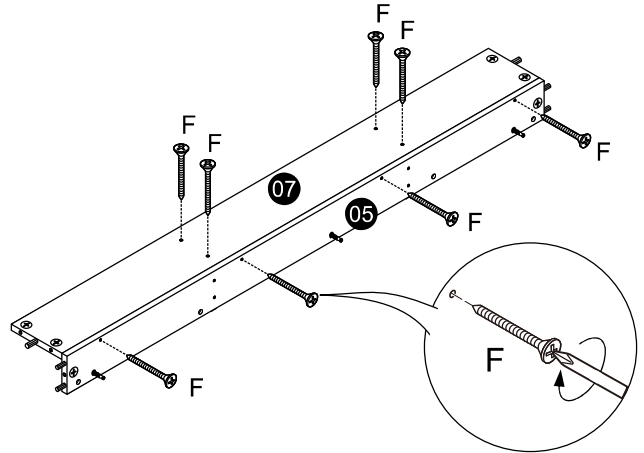
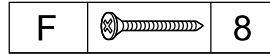
A		13
B		3
C		22
R		8



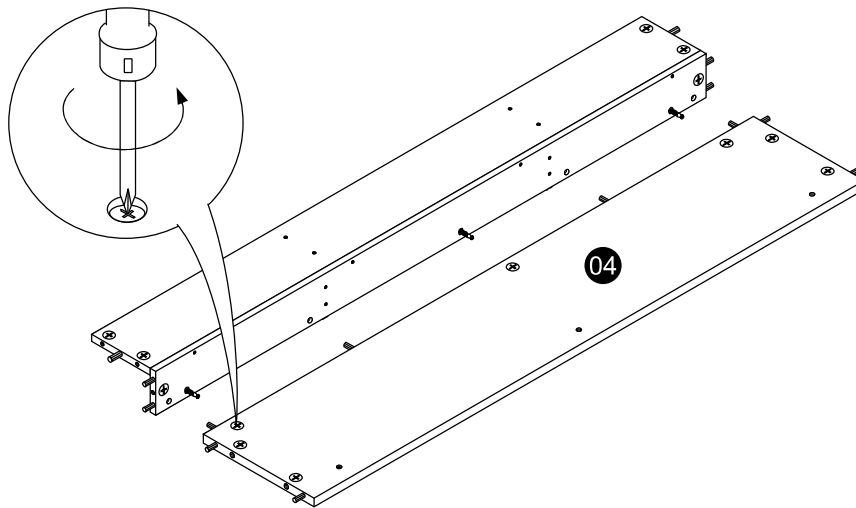
3



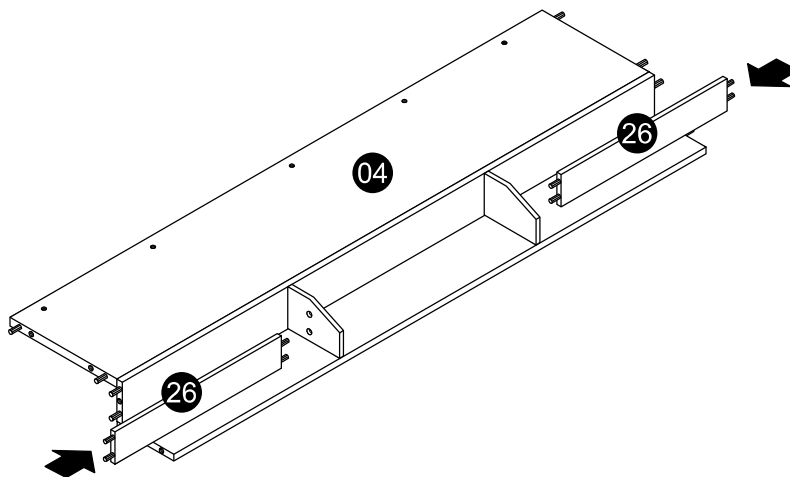
4



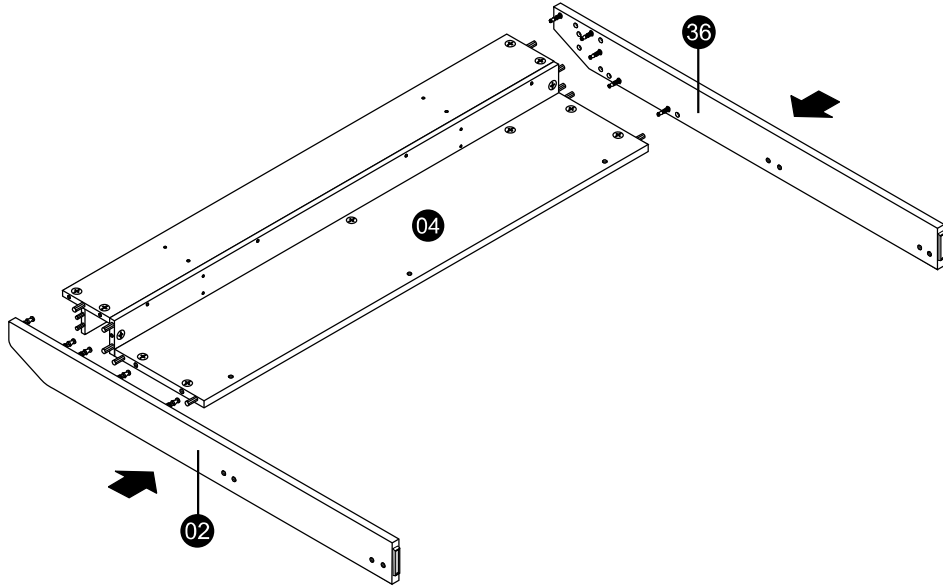
5



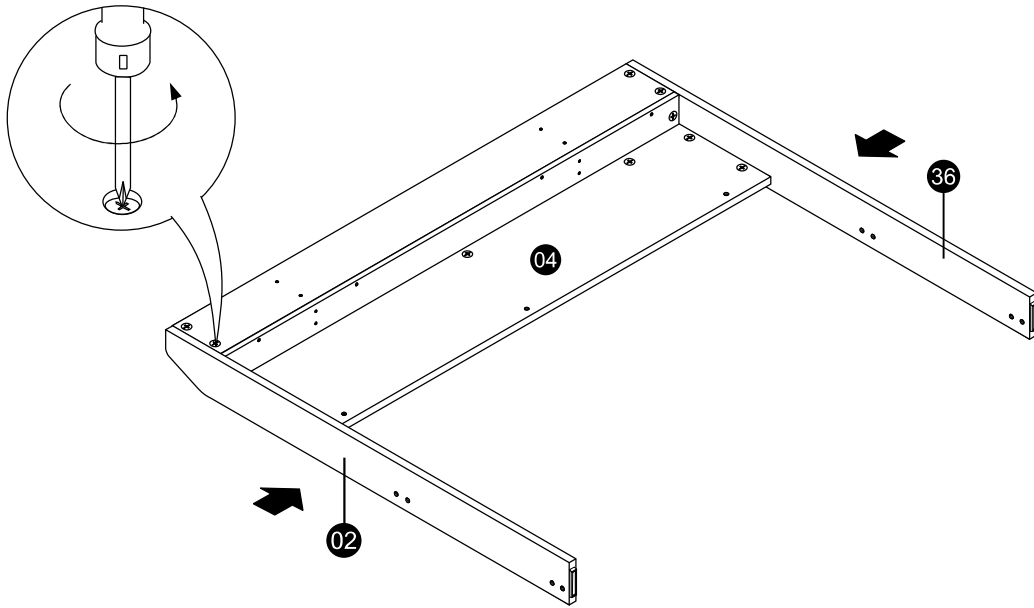
6





7

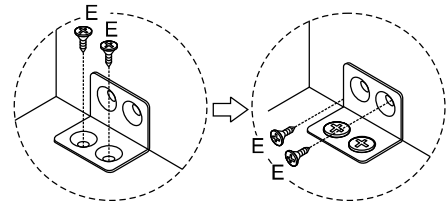
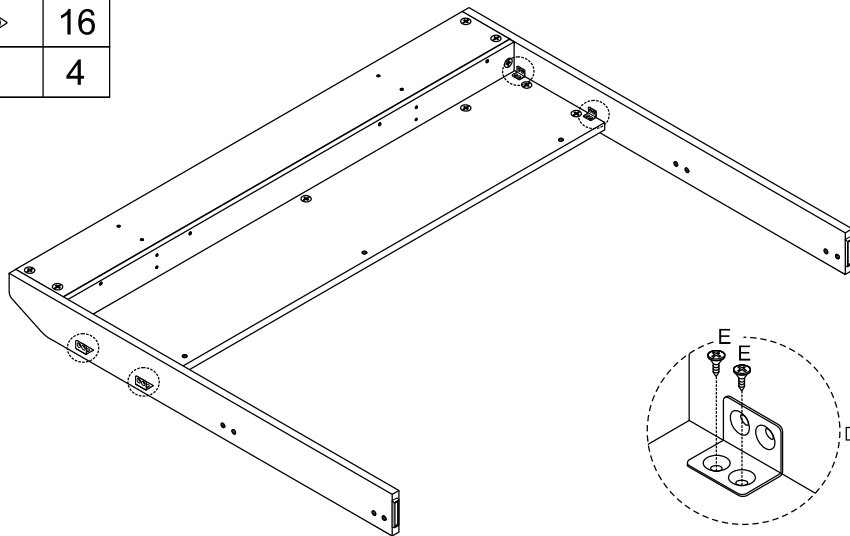


8



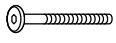
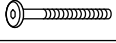
9

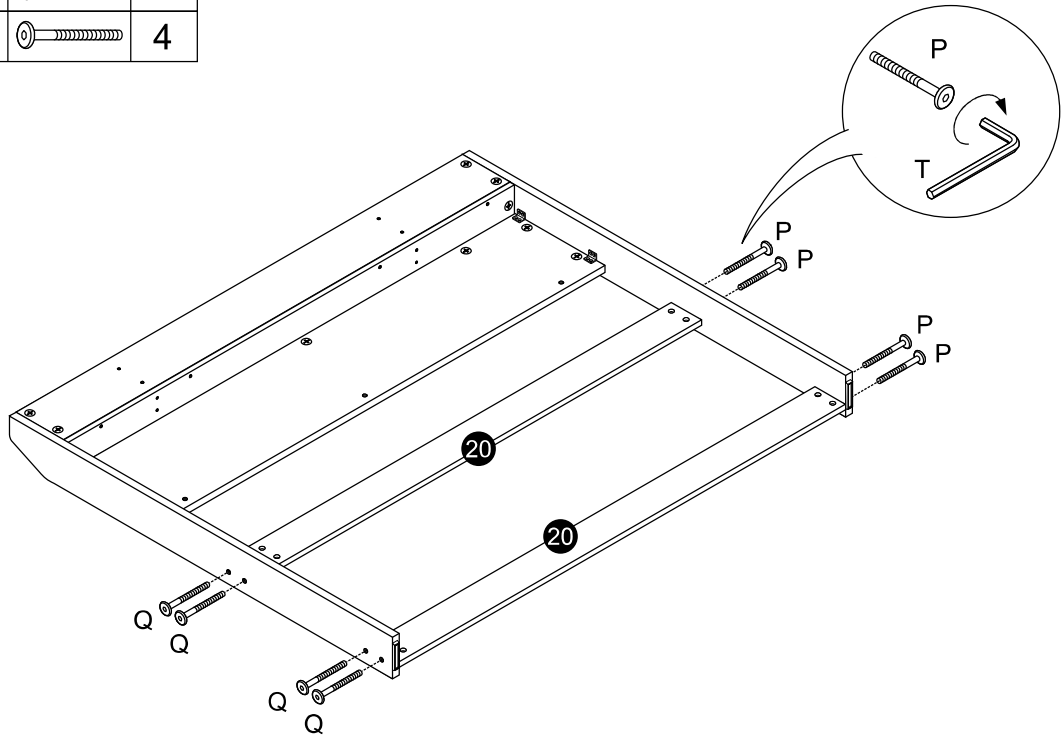
E		16
J		4




USE PRE-DRILLED HOLES IN PART 4

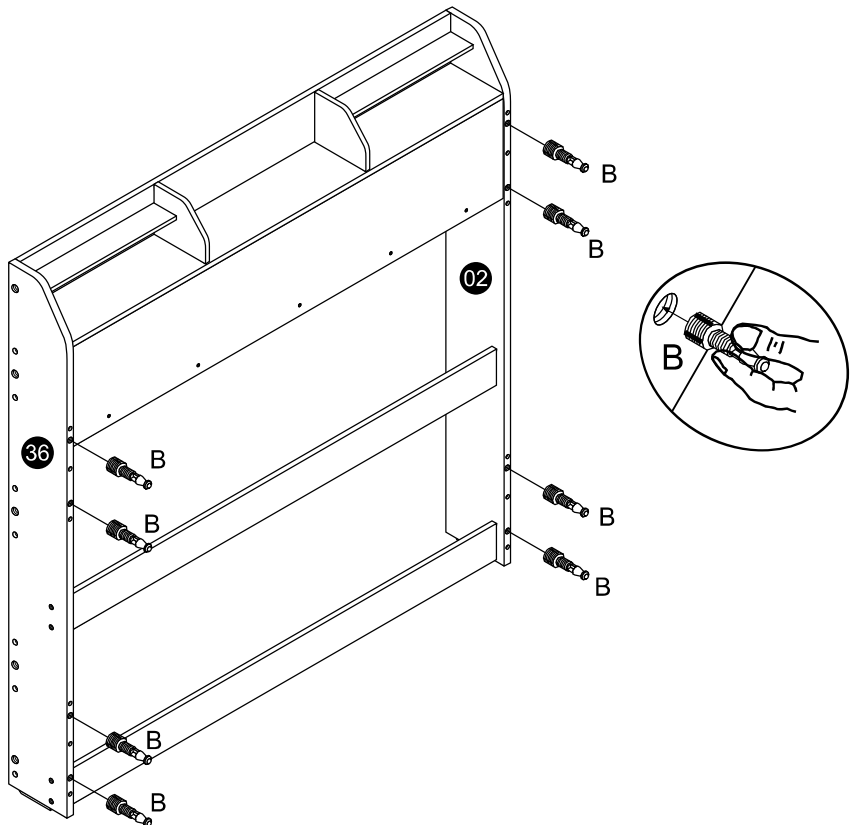
# 10

P		4
Q		4

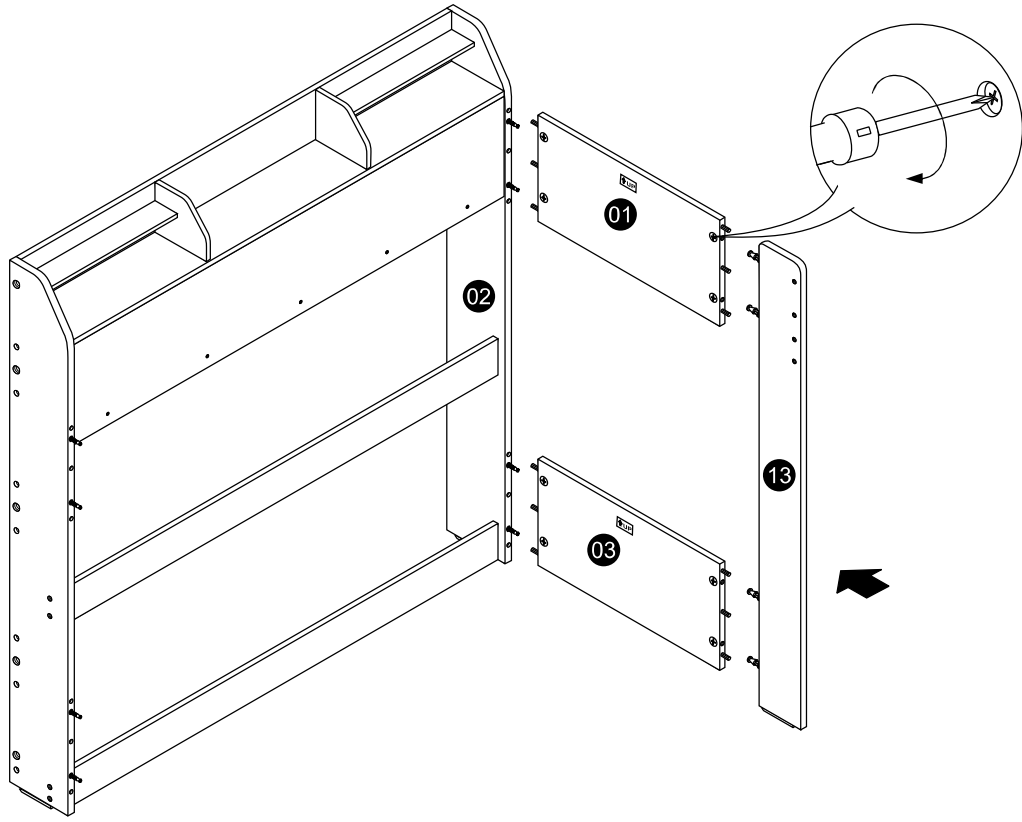


# 11

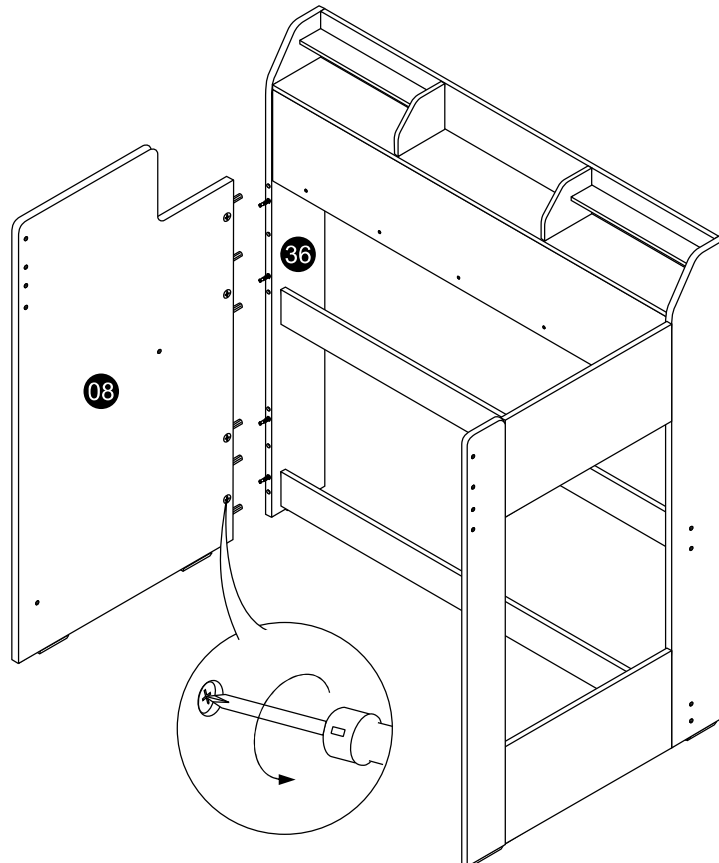
B		8
---	---	---



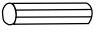

# 12

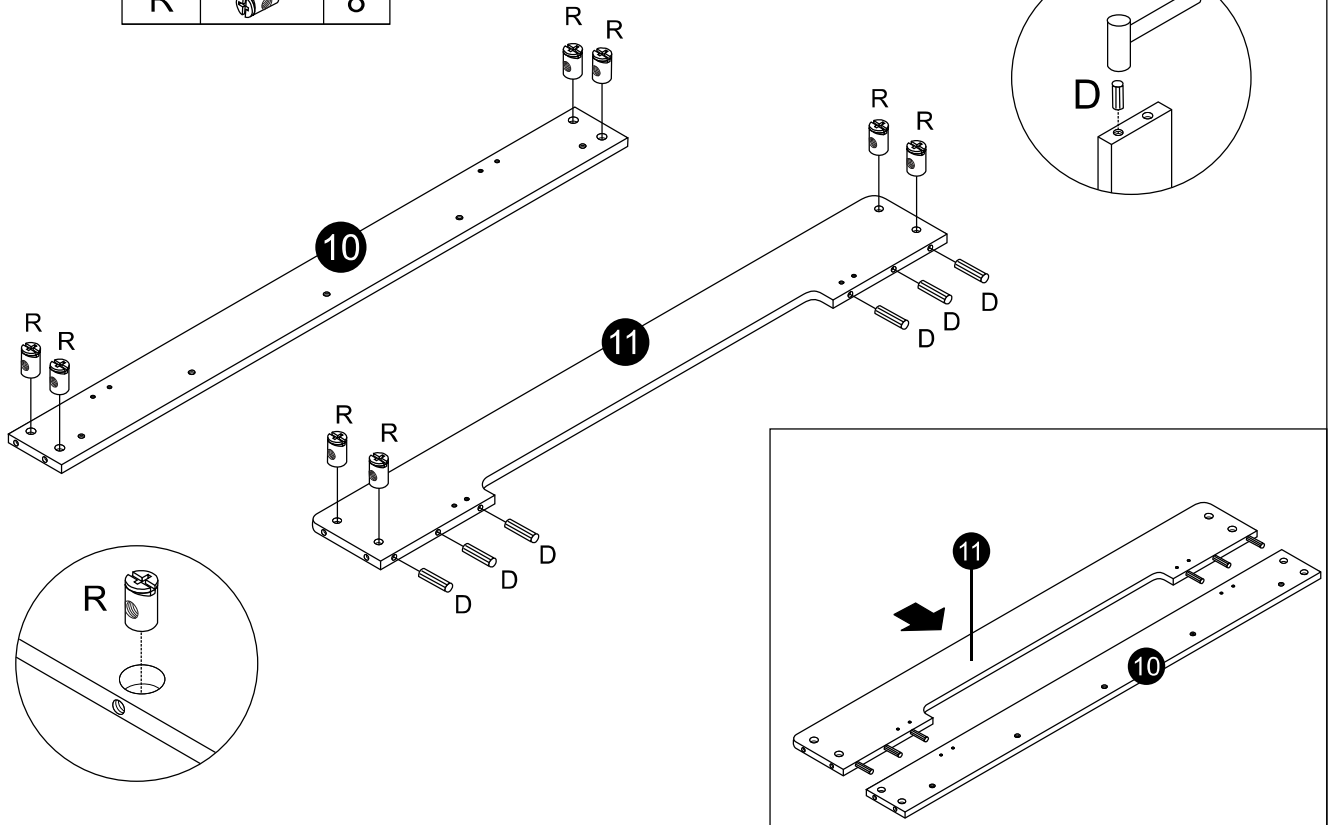


# 13


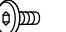


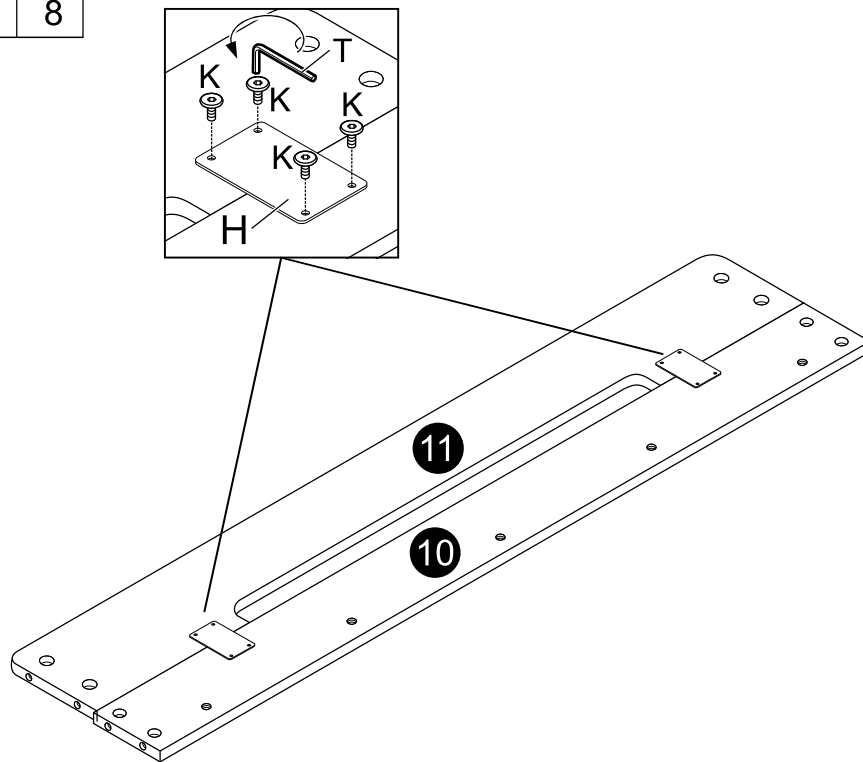
# 14

D		6
R		8


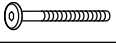


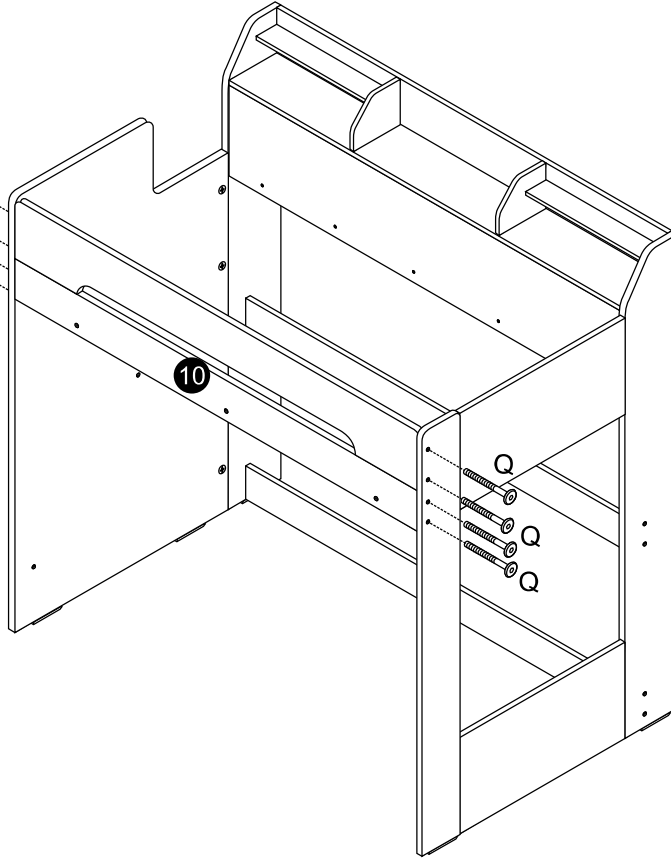
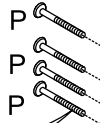
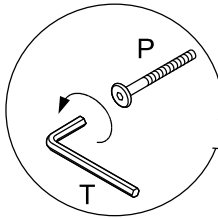
# 15

H		2
K		8






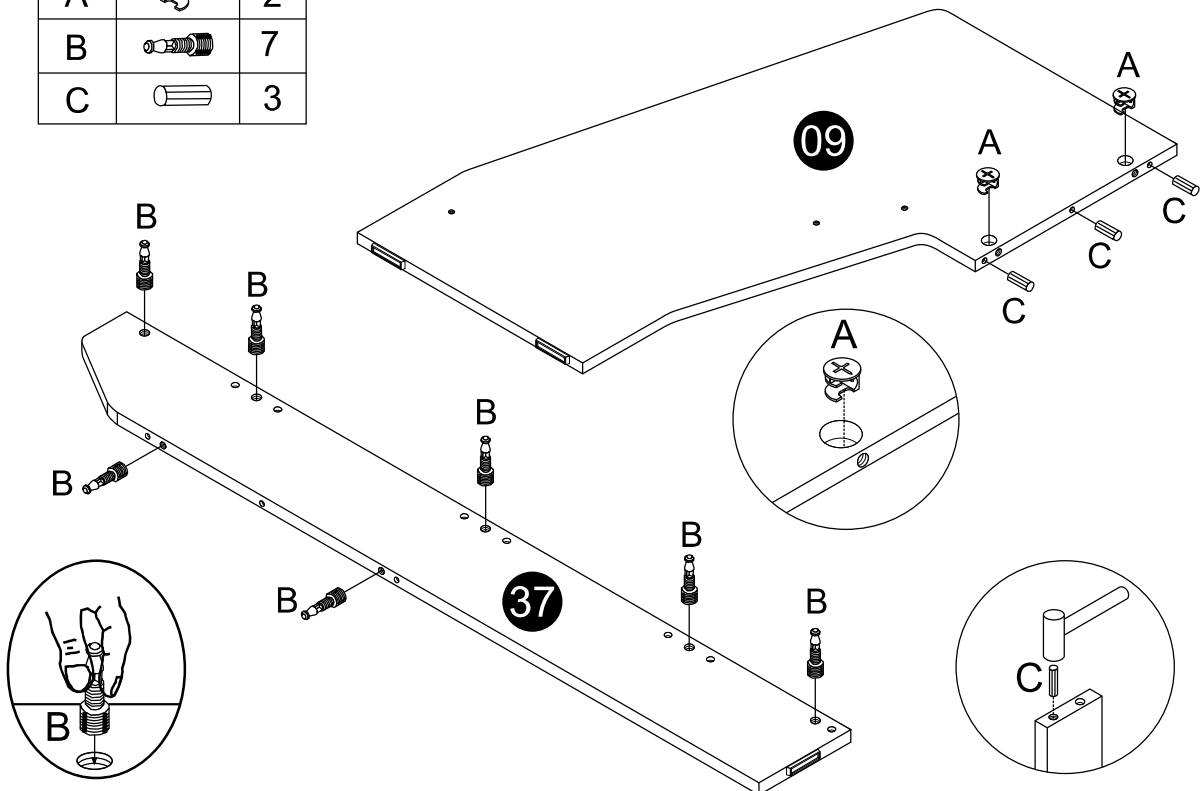
# 16

P		4
Q		4



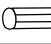





# 17

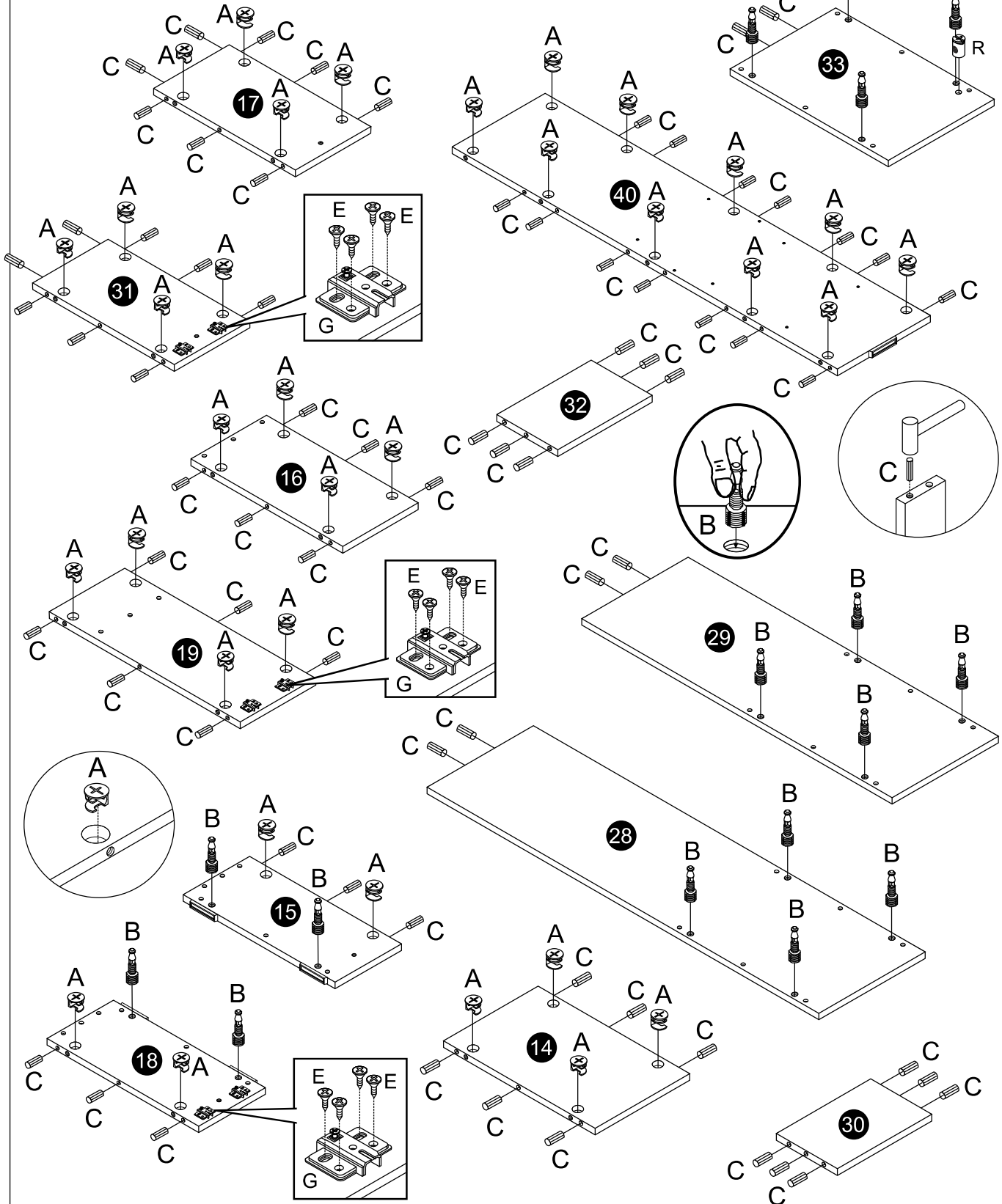
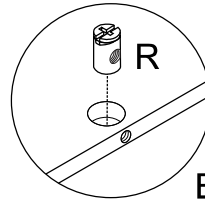
A		2
B		7
C		3



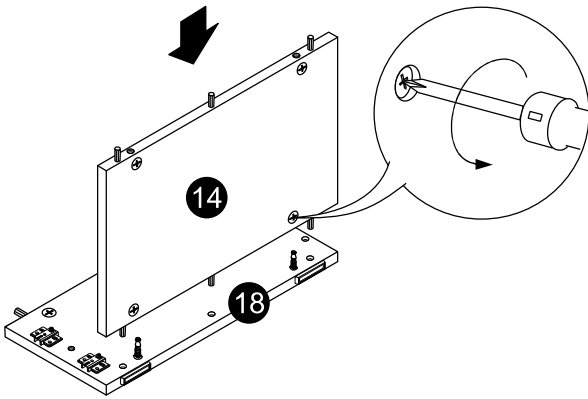
# 18

A		34
B		16
C		72

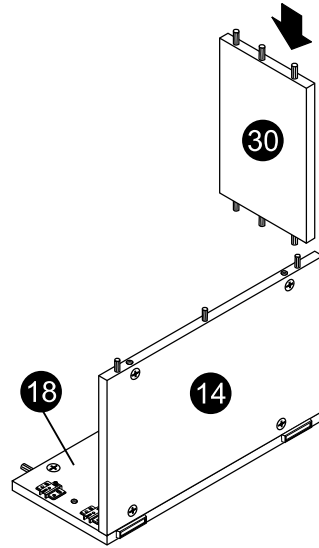
E		24
G		6
R		1



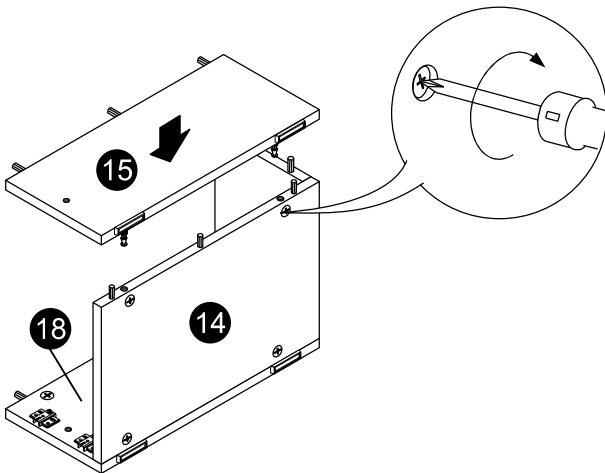
19



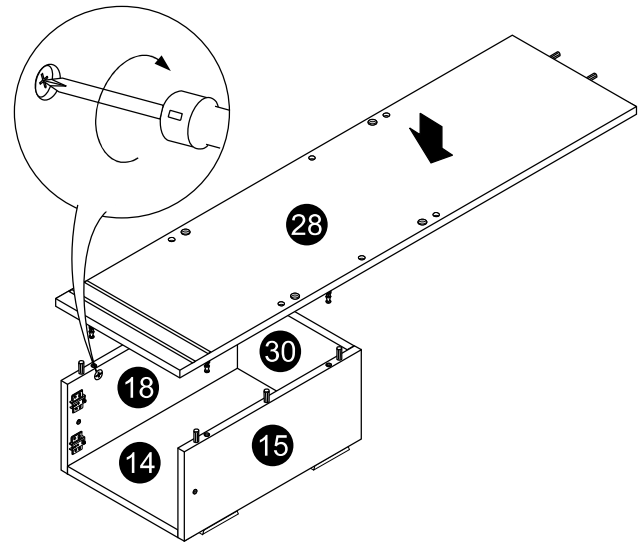
20



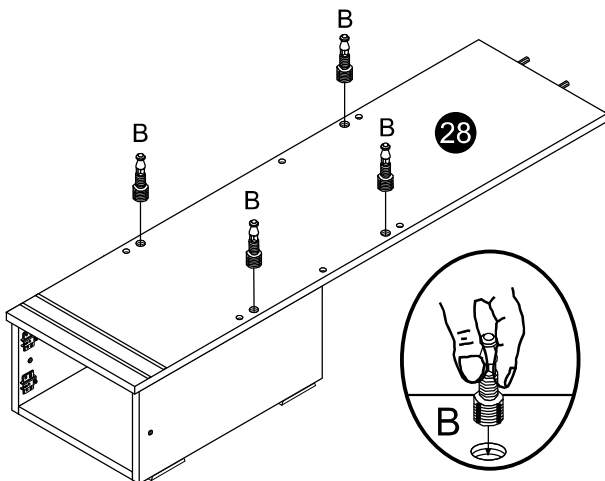
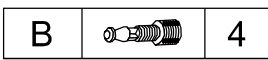
21



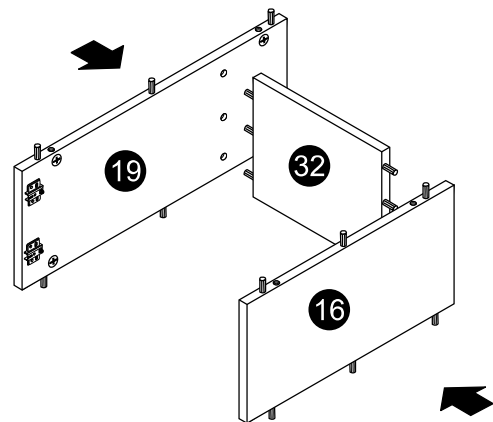
22



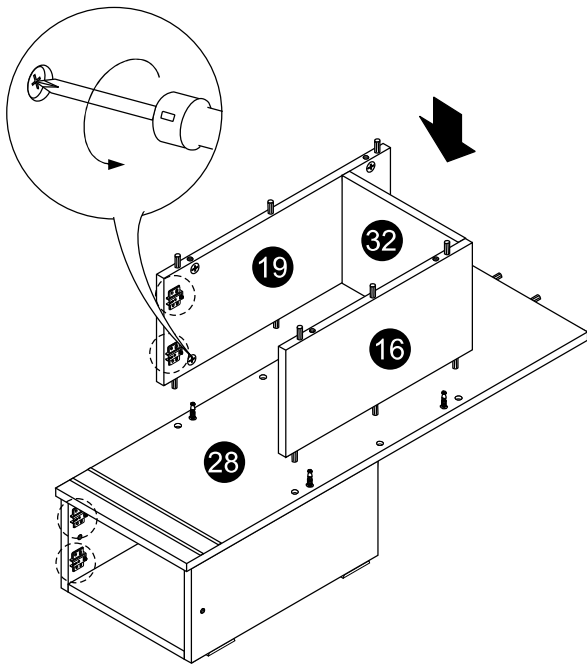
23



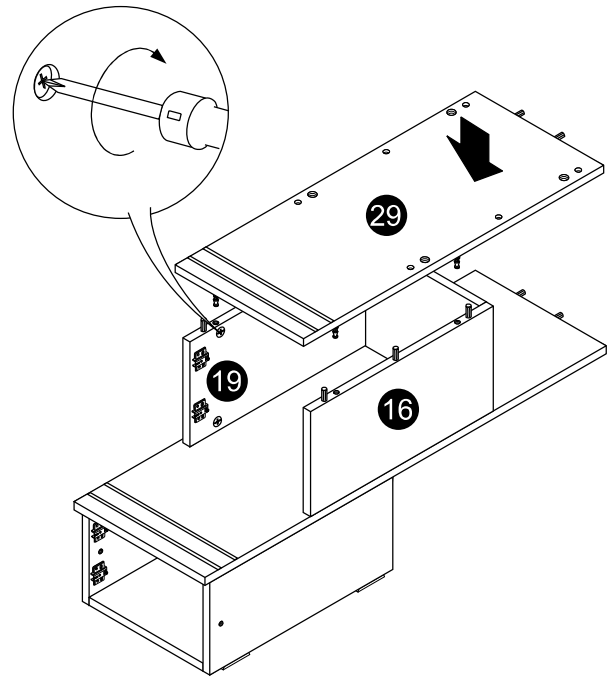
24



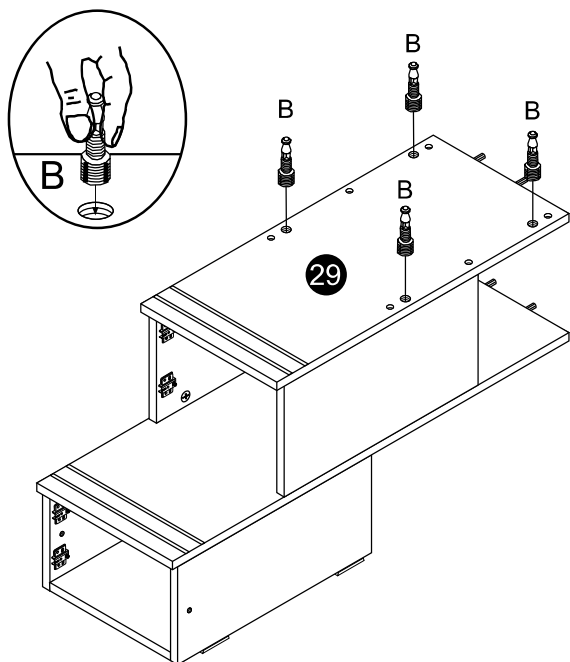
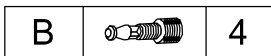
25



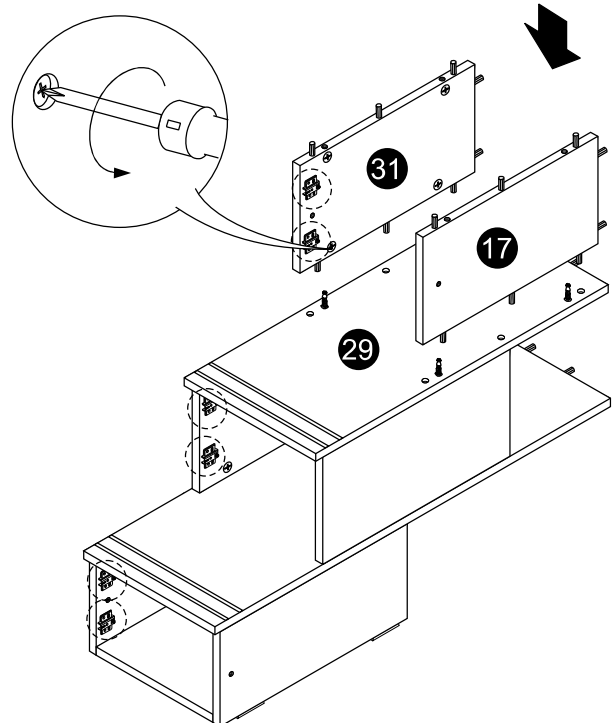
26



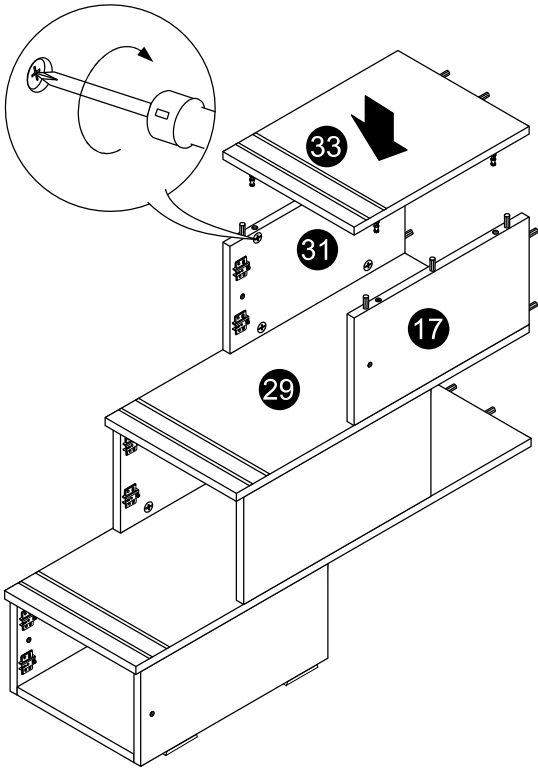
27




28

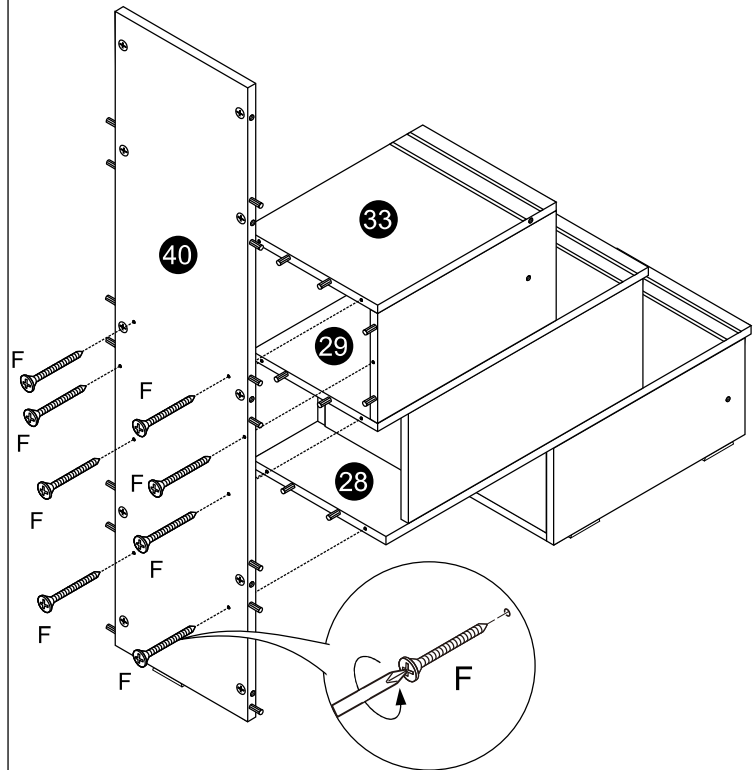


# 29




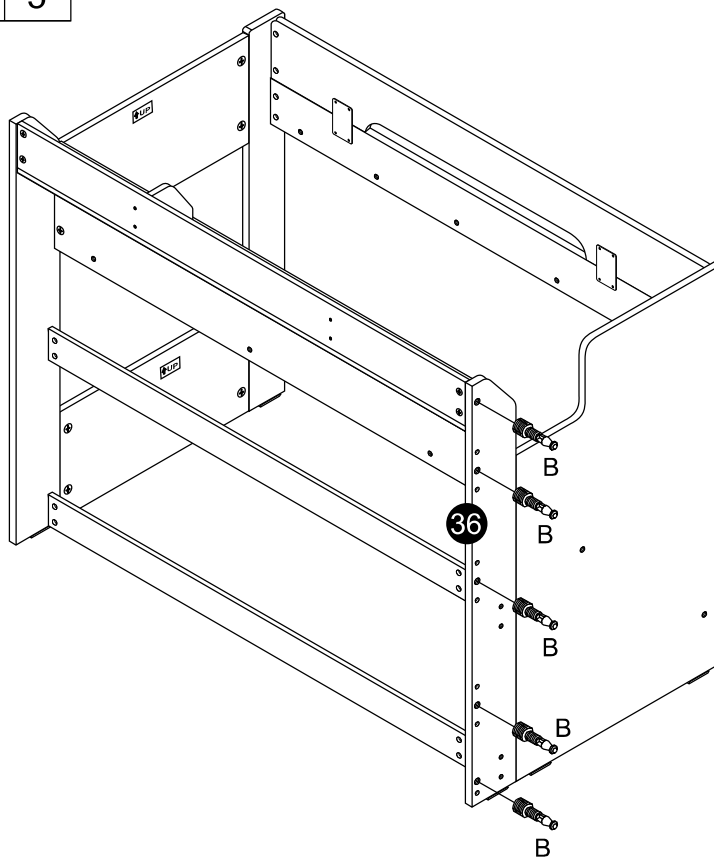
# 30

F  8

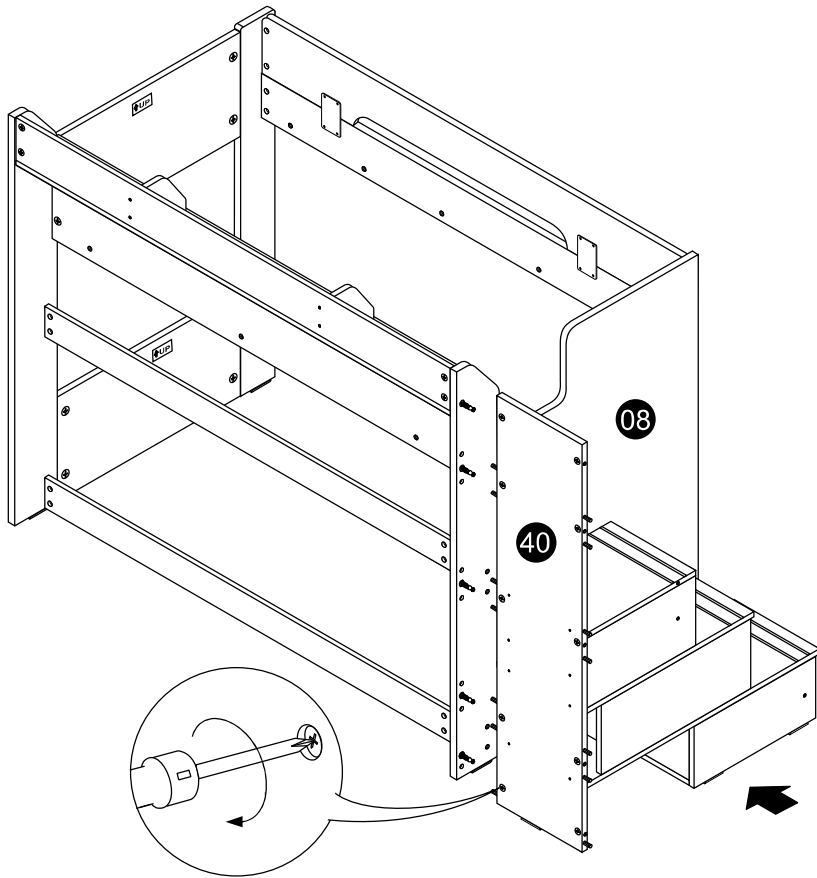


# 31

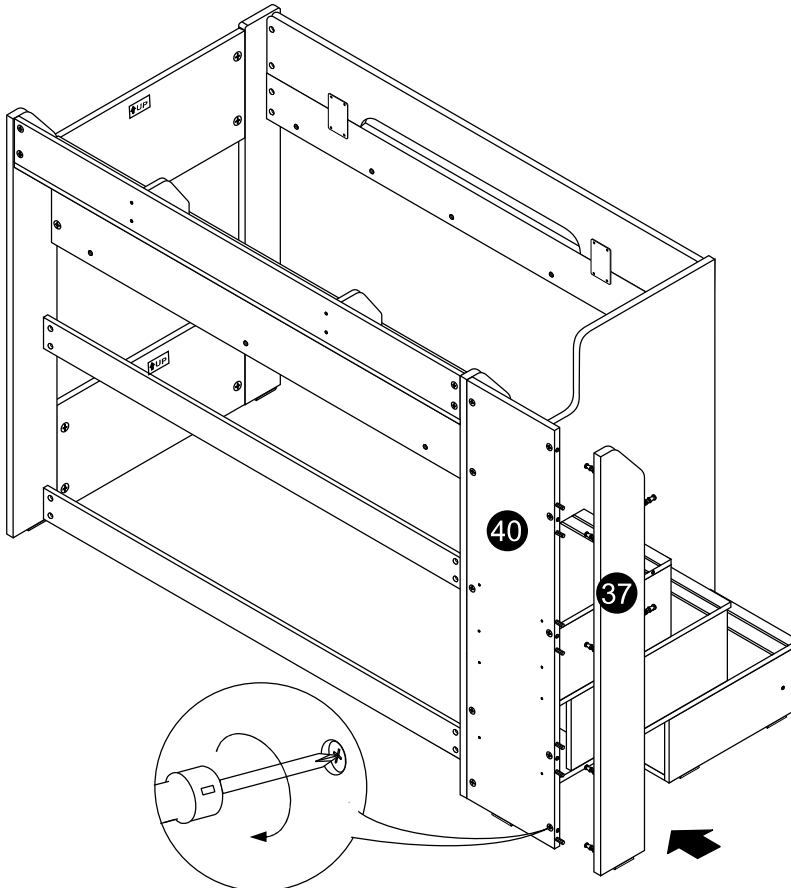
B  5



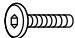

32

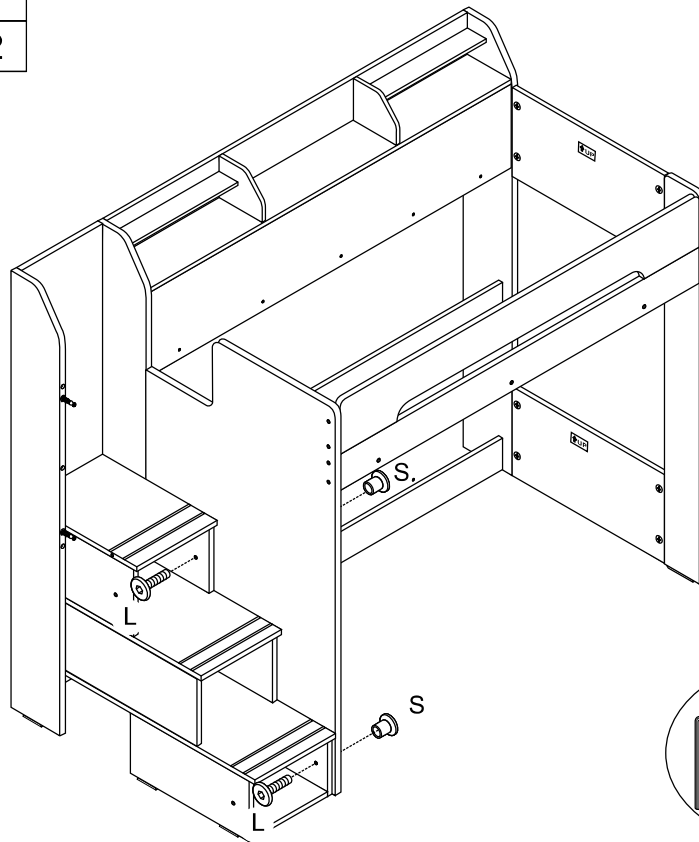


33

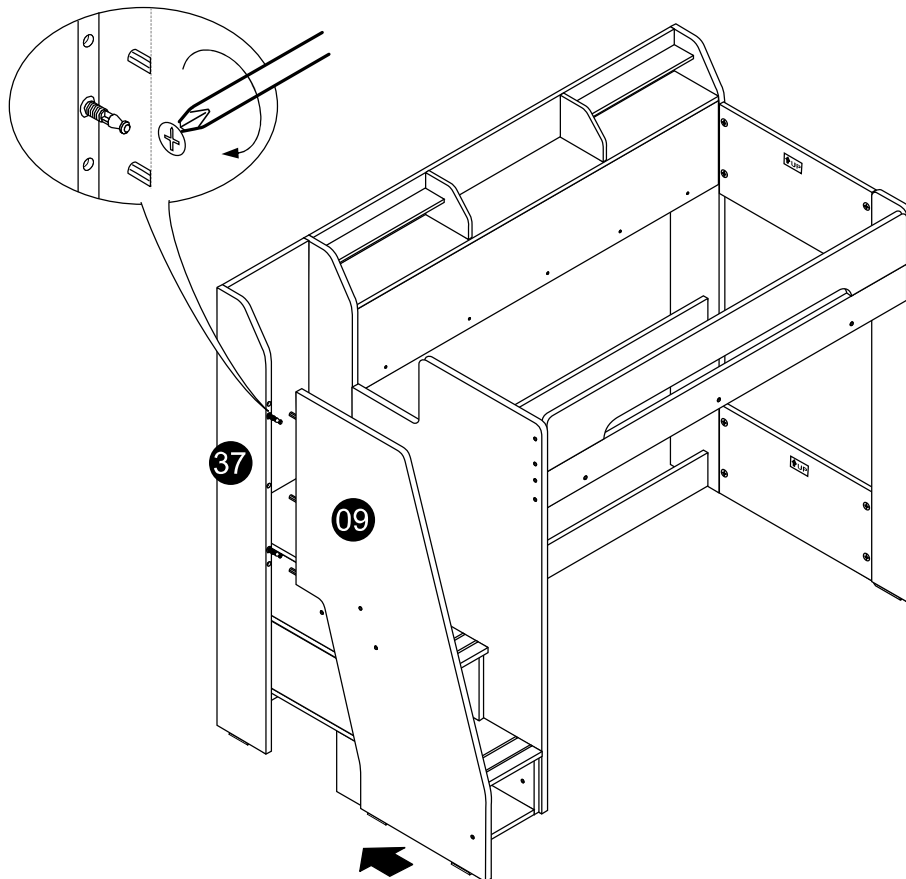


34




L		2
S		2

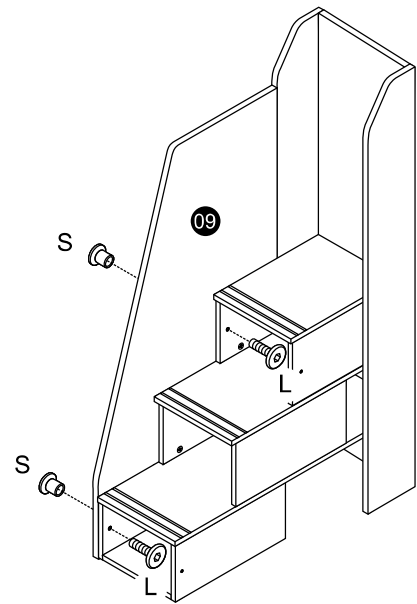
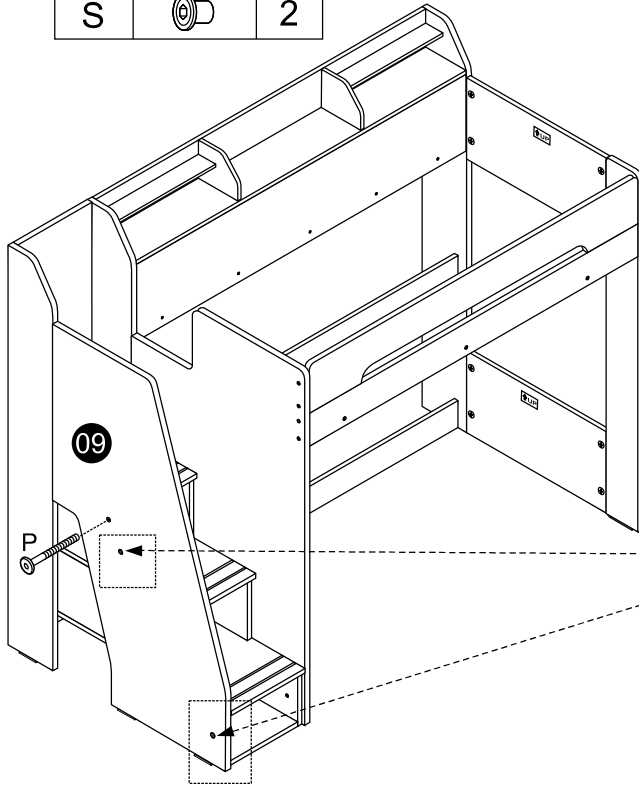
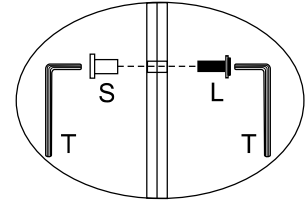


35





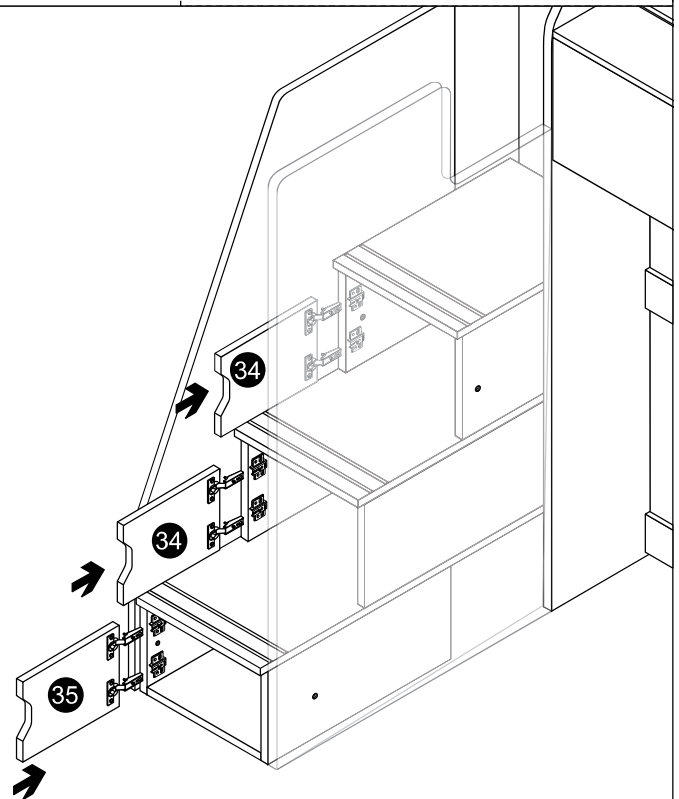
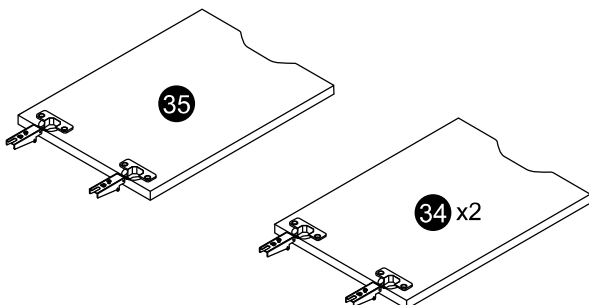
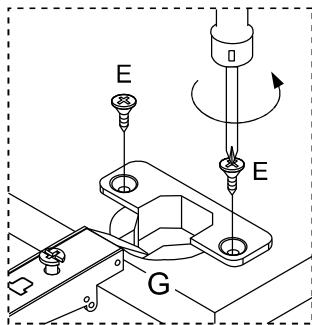
# 36

L		2
P		1
S		2

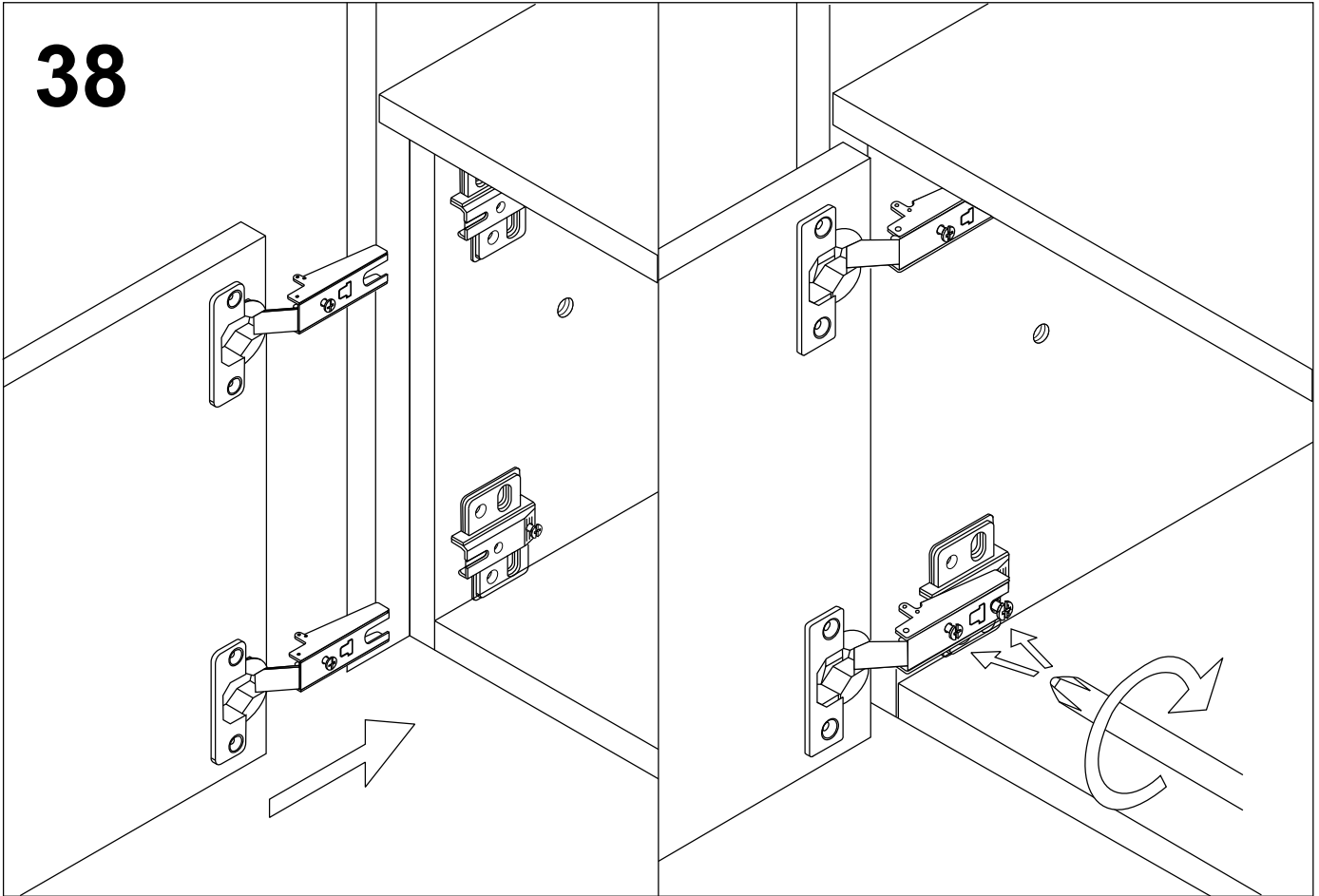


# 37

E		12
G		6

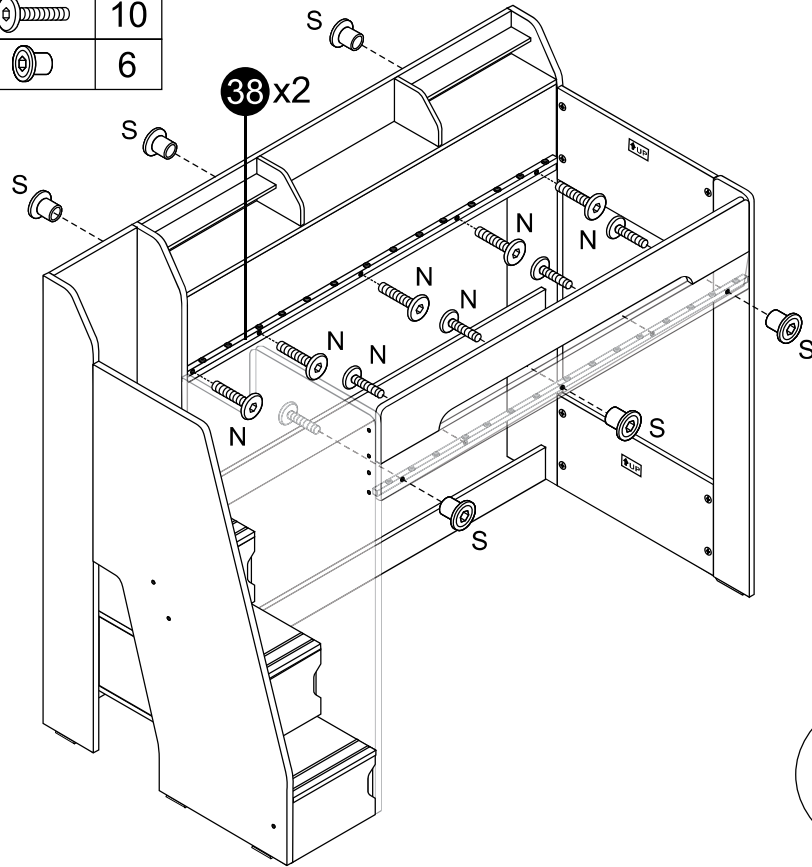


# 38

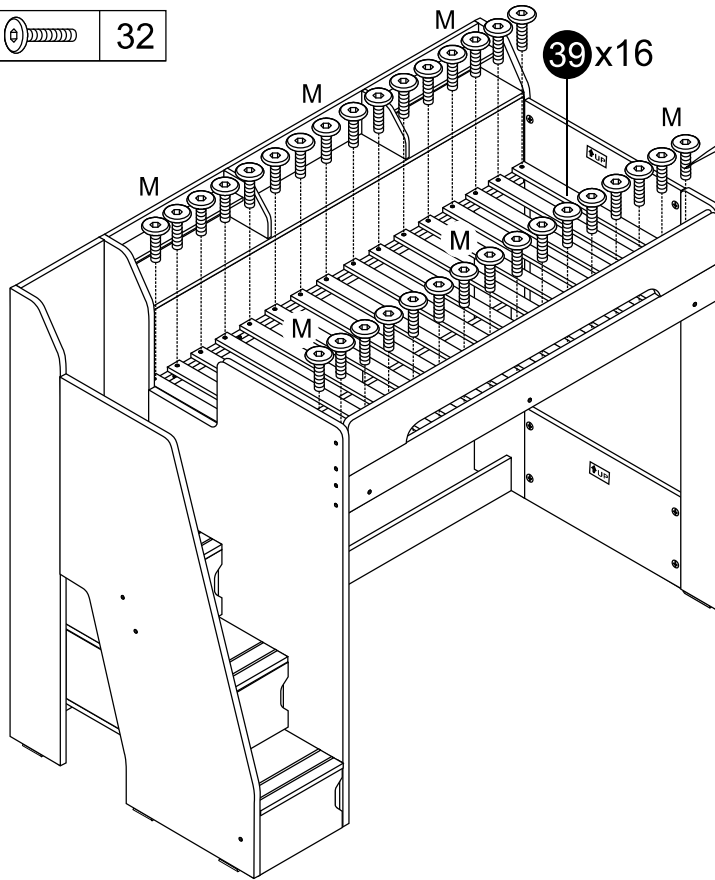
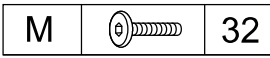


# 39

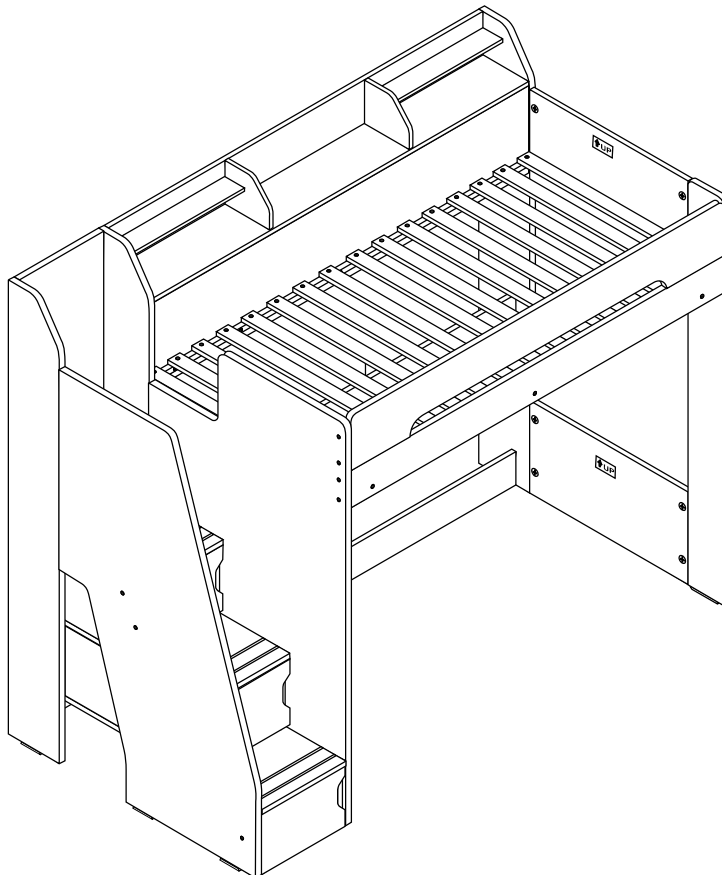
N		10
S		6

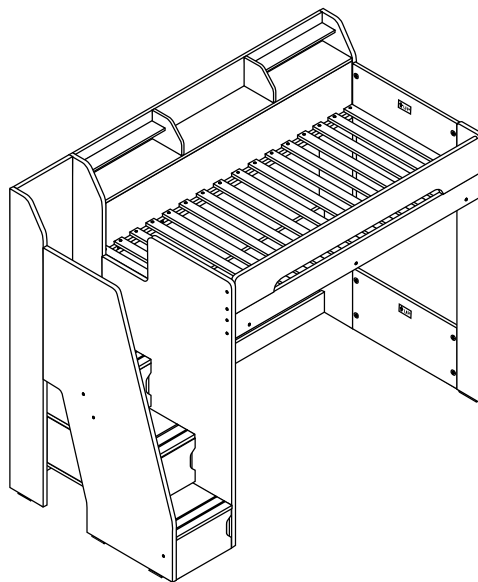


40



41





Please dispose of packaging safely and responsibly.

## Care & Maintenance Of Your Product

Gently wipe clean with a slightly damp cloth.

Household cleaners and abrasives can cause damage to the product.

Tighten all screws periodically to guarantee they are secure.

To move the product lift it into place. Pushing or dragging the product across a floor will cause damage to it. If the product is assembled on a hard floor, it is advised to place protection under the legs to prevent the product from moving. If these guidelines are not followed it may invalidate the warranty.

## Notes

This product has been designed to be as easy to assemble as possible. In the event that you run into issues putting the bed together or have damaged / missing pieces, please contact us at:

[orders@flairbeds.co.uk](mailto:orders@flairbeds.co.uk)

or

01924 950955

**Flair**  
furnishings