

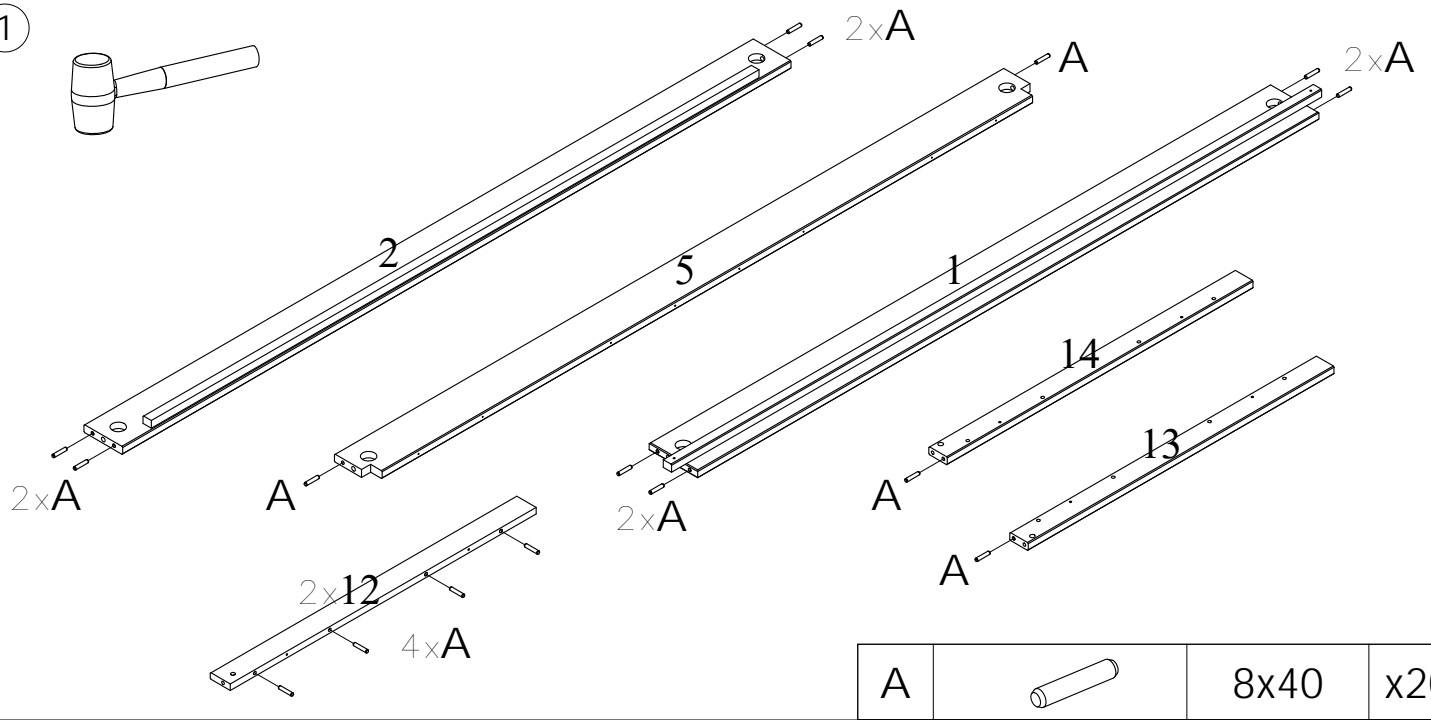
A		8x40	x48
B		7x60	x6
C		D35	x6
D		M6x55	x2
E		M6x10x13	x2
F		6,1x24x35	x4
G		D12x10	x4
H		5x50	x4
K		4x20	x24

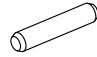
M		3,5x35	x31
N		D15x3	x2
P		D25x4	x4
R		D15x18	x2
S		60x15	x2
T		102x30x6	x2
U		COLLE	x1
V		4mm	x1

A		8x40	x8
J		7x34	x2
L		15x12	x2
Q		3,5x40	x4
X		3,5x20	x2
Y		1,6x16	x25

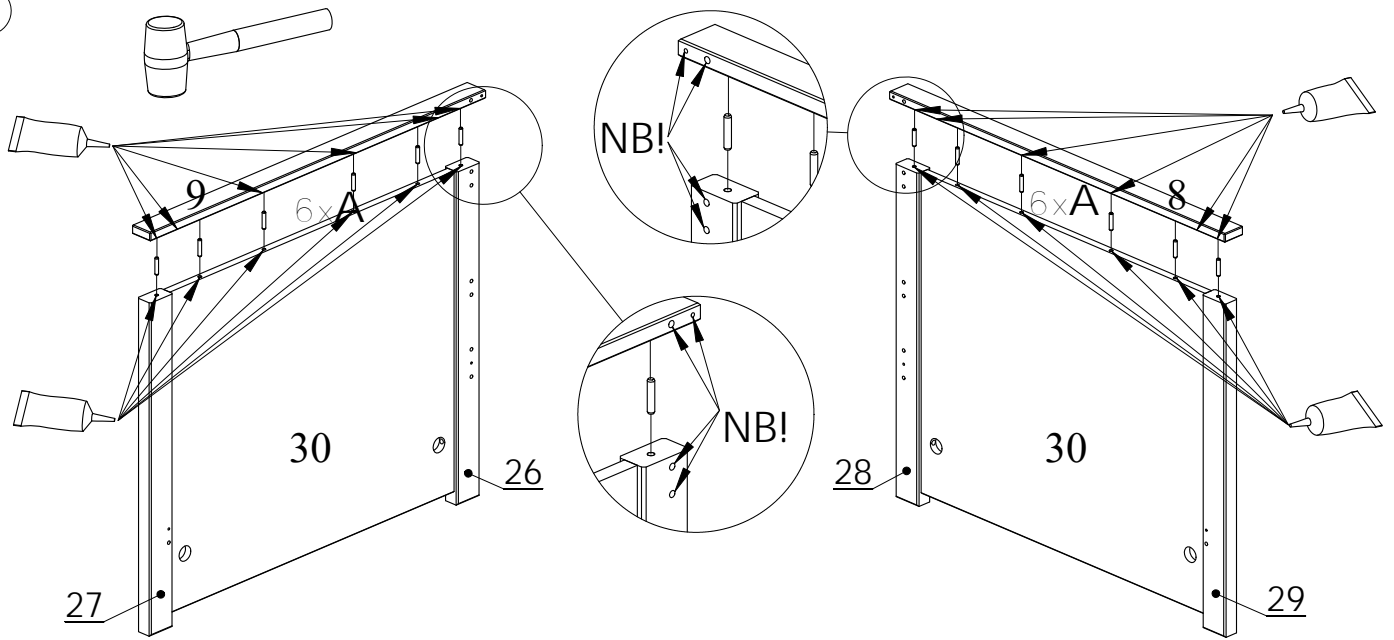
Z		3,5x16	x12
W		D26	x6
A1		D19x19	x2
B1		4x35	x2
C1		40x20	x1


①



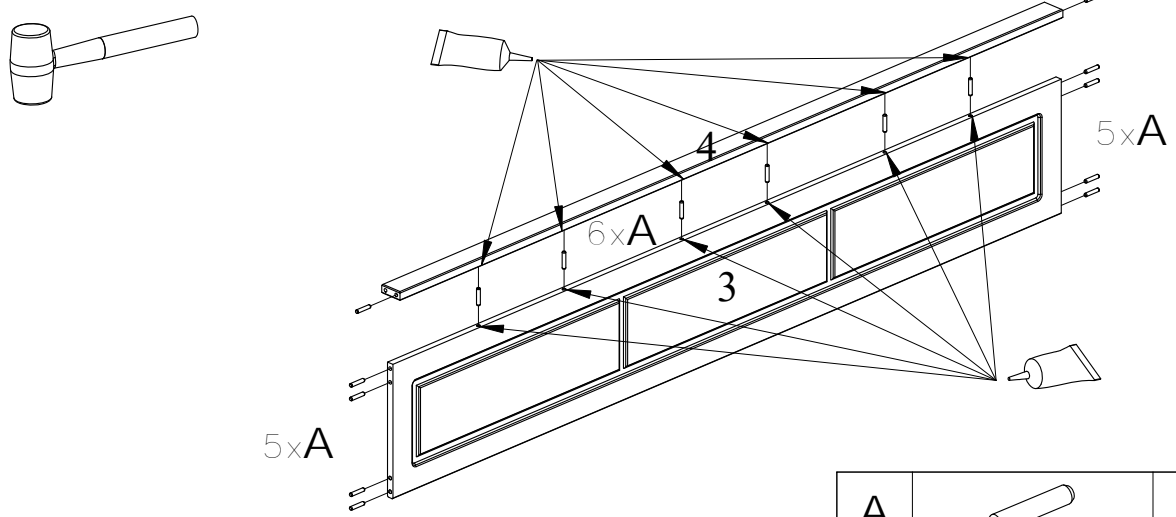
A		8x40	x20
---	---	------	-----


②



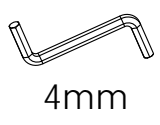
A		8x40	x12
---	---	------	-----

③

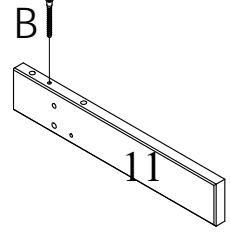
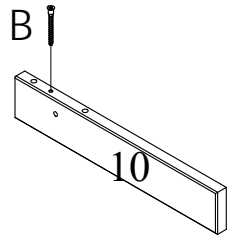
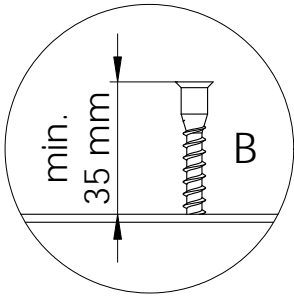


A		8x40	x16
---	---	------	-----

4

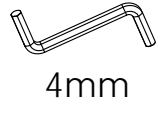


4mm

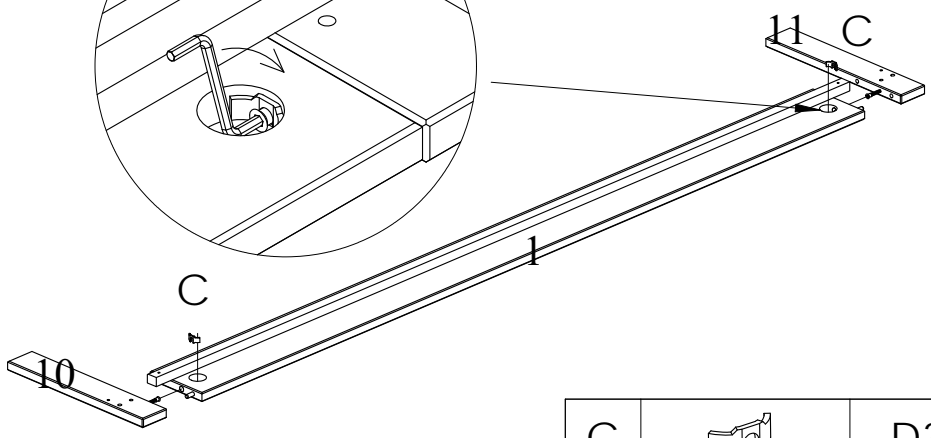
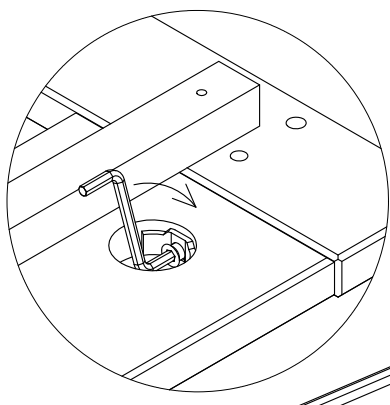


B		7x60	x2
---	--	------	----

5

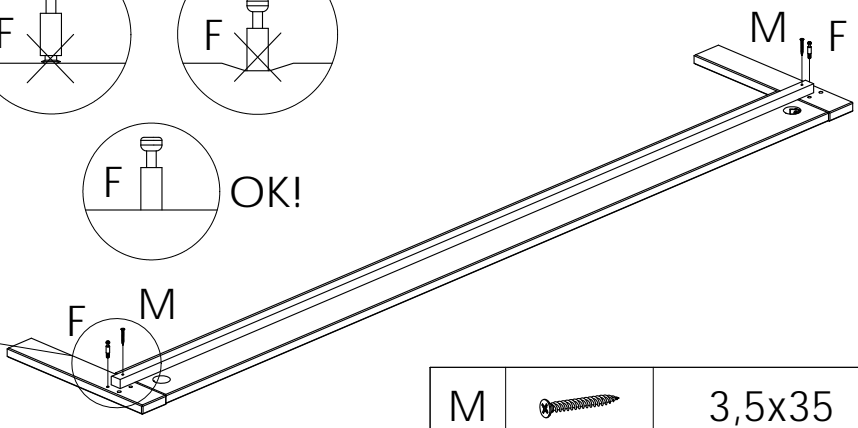
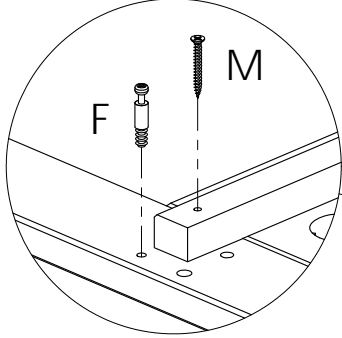
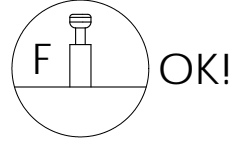
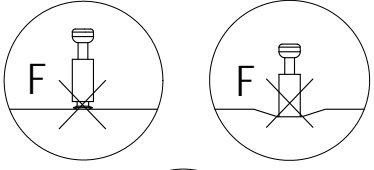
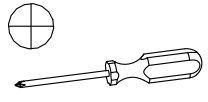


4mm



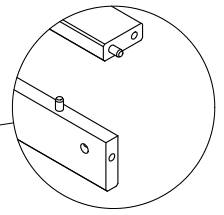
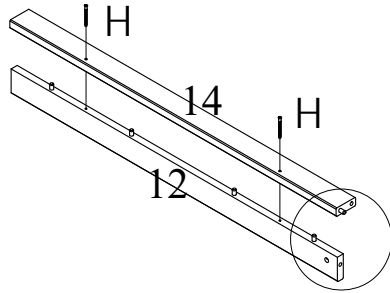
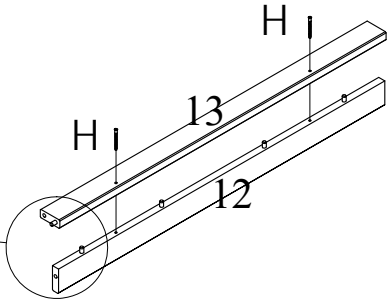
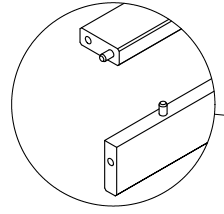
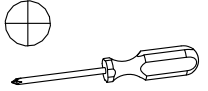
C		D35	x2
---	--	-----	----

6



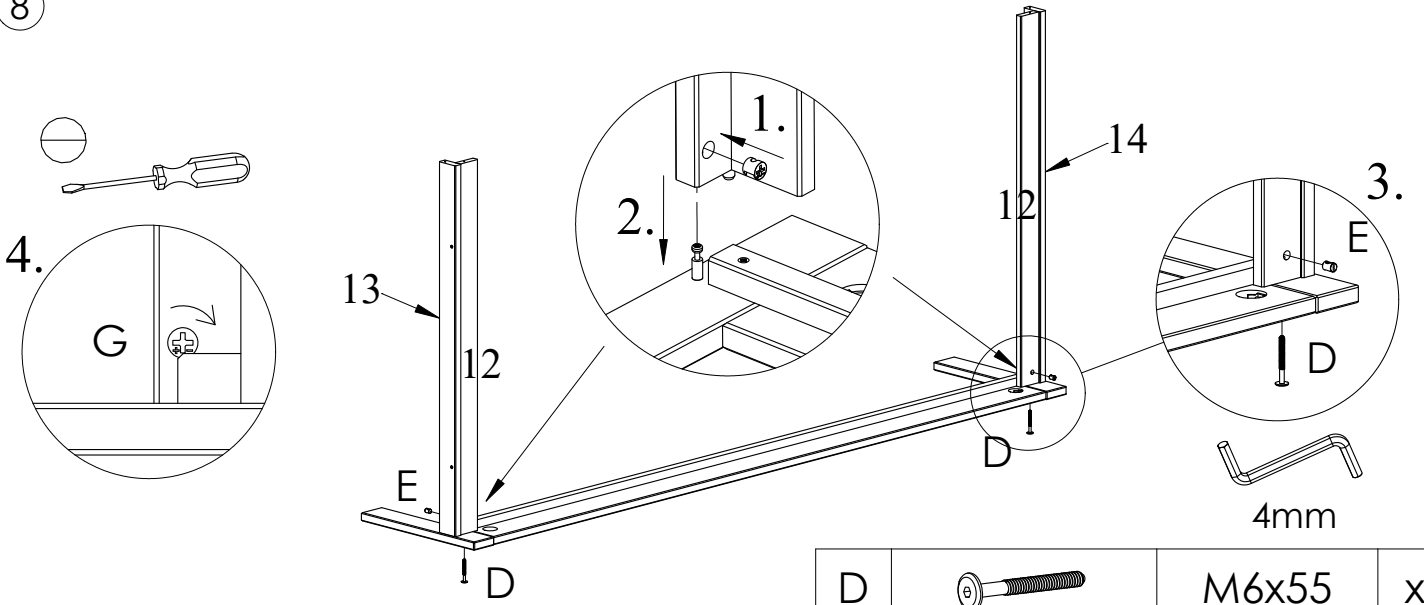
M		3,5x35	x2
F		6,1x24x35	x2

7



H		5x50	x4
---	--	------	----

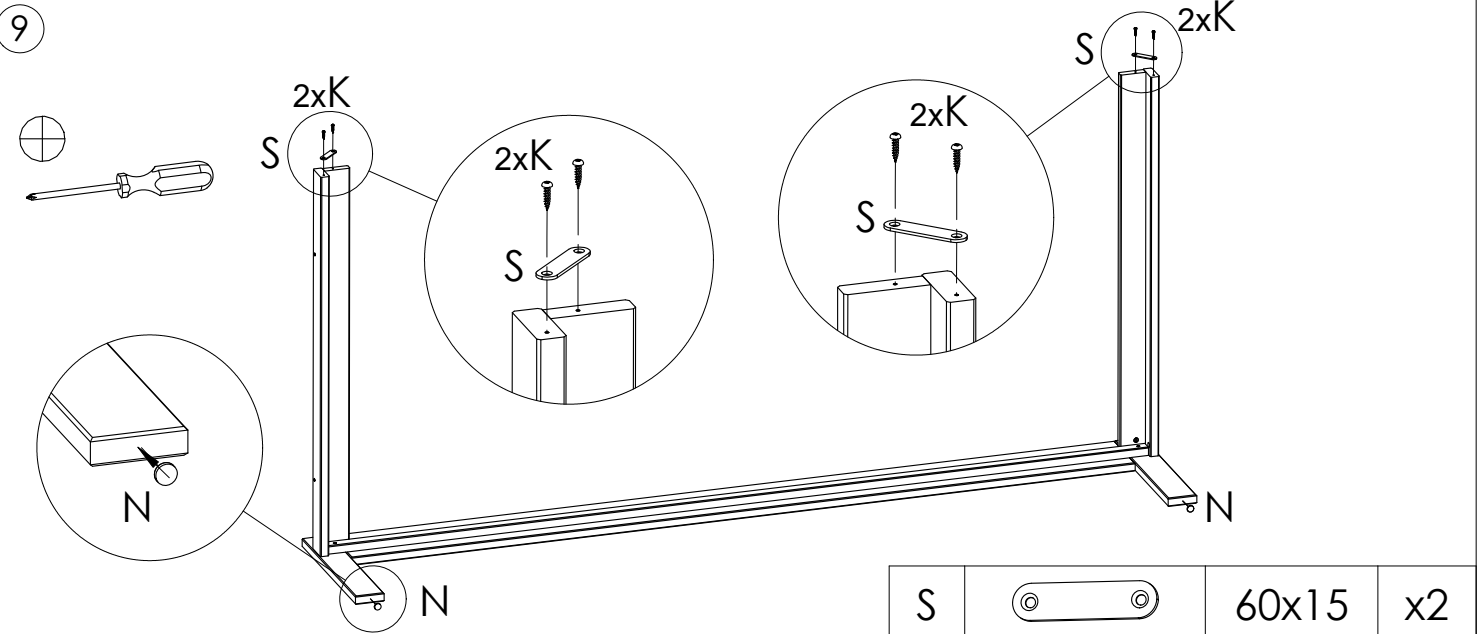
8



D		M6x55	x2
E		M6x10x13	x2

G		D12x10	x2
---	--	--------	----

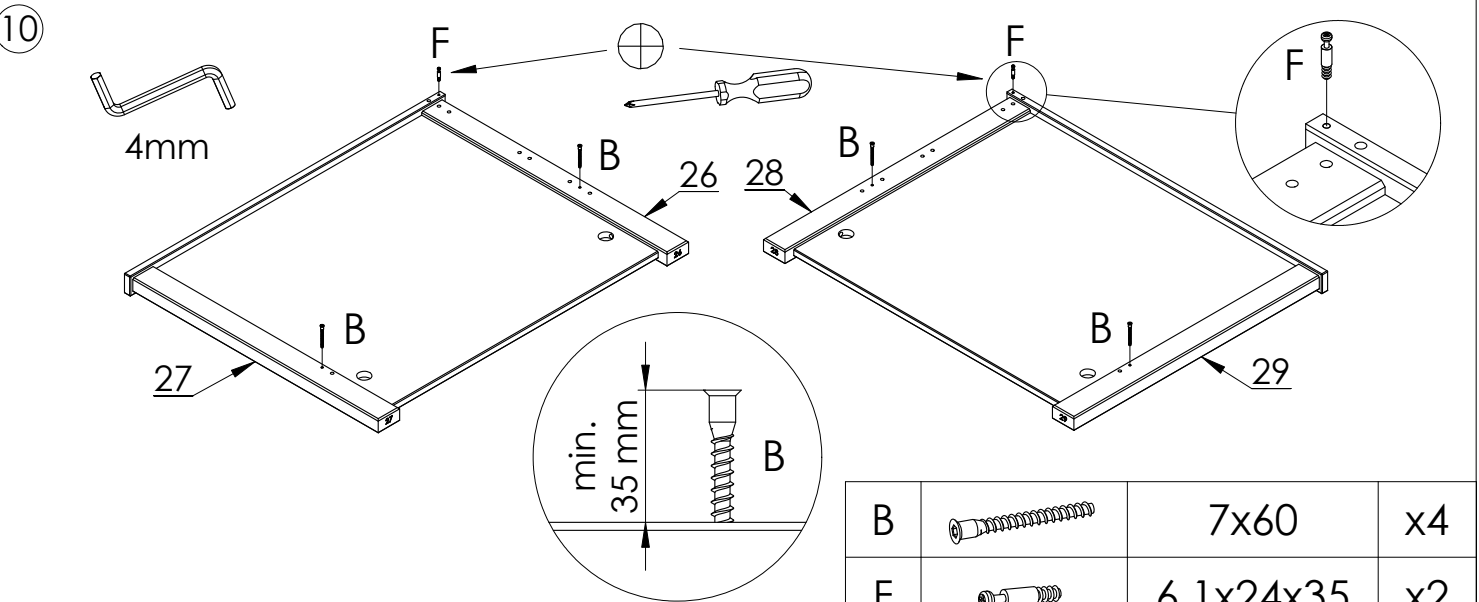
9



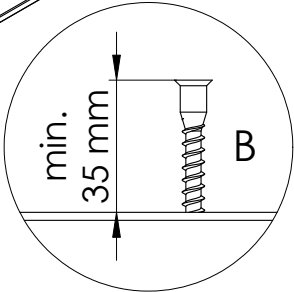
S		60x15	x2
K		4x20	x4

N		D15x3	x2
---	--	-------	----

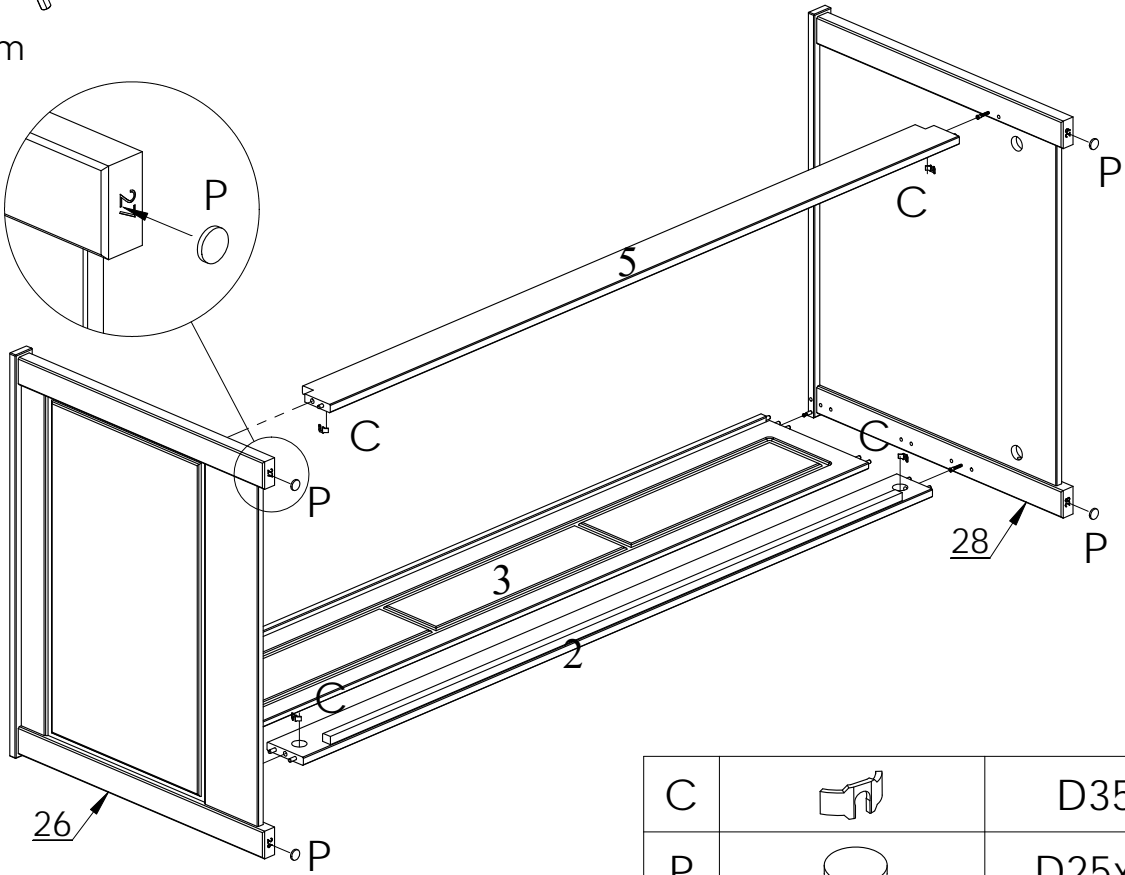
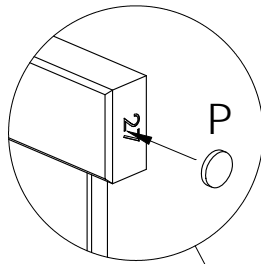
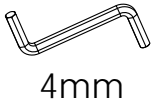
10



B		7x60	x4
F		6,1x24x35	x2

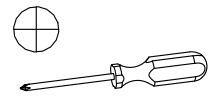
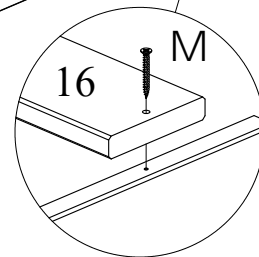
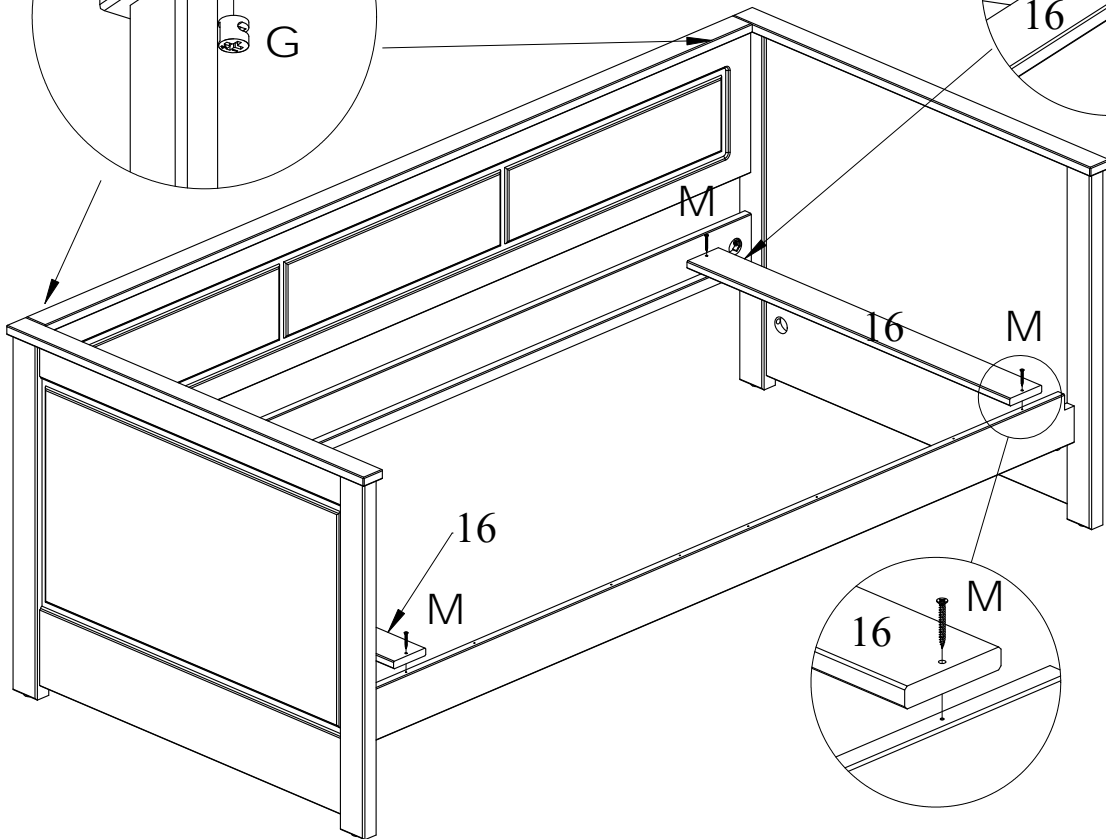
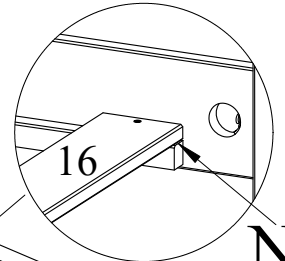
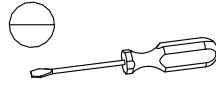
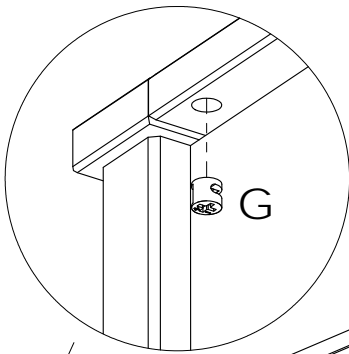


11



C		D35	x4
P		D25x4	x4

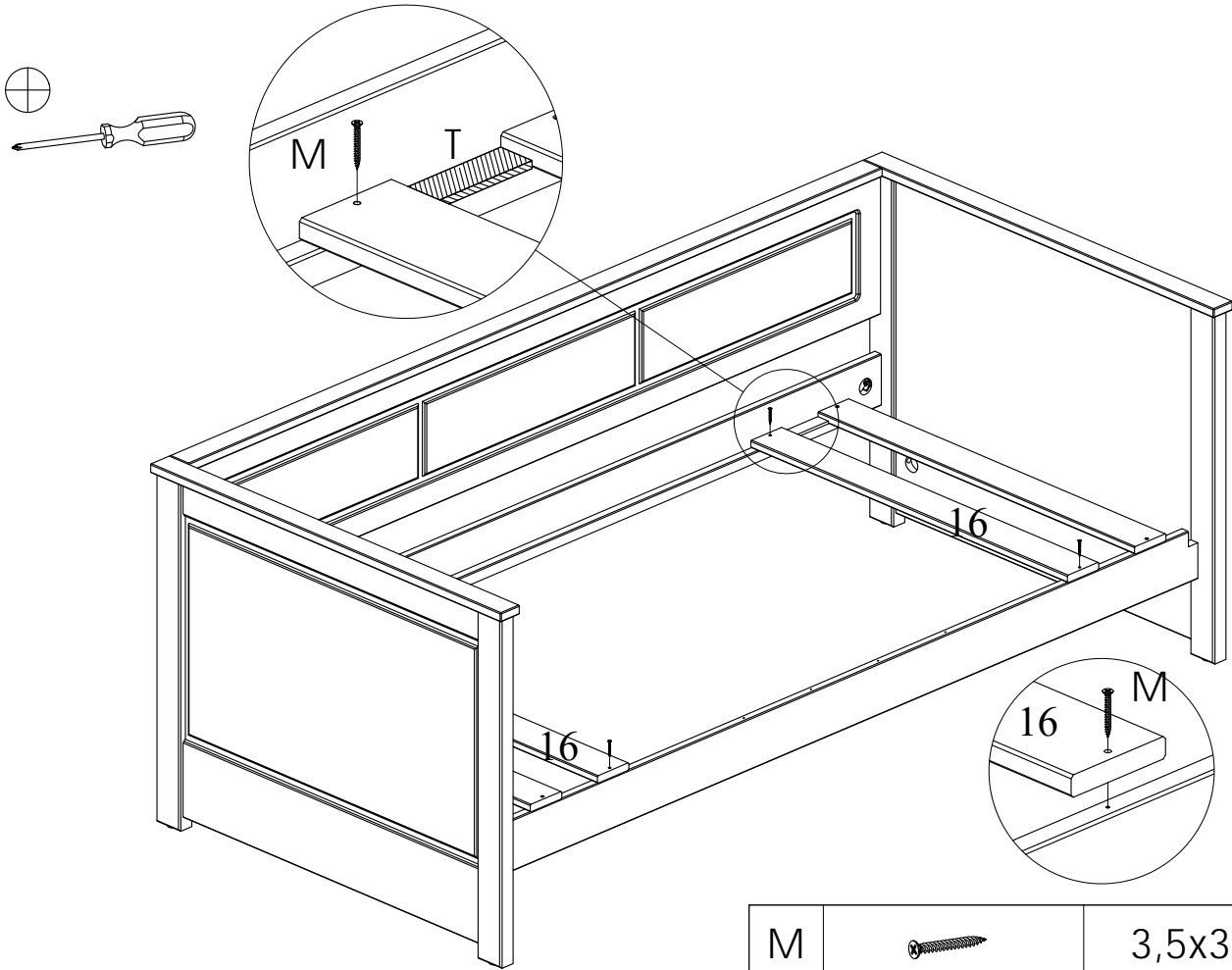
12





G		D12x10	x2
---	--	--------	----

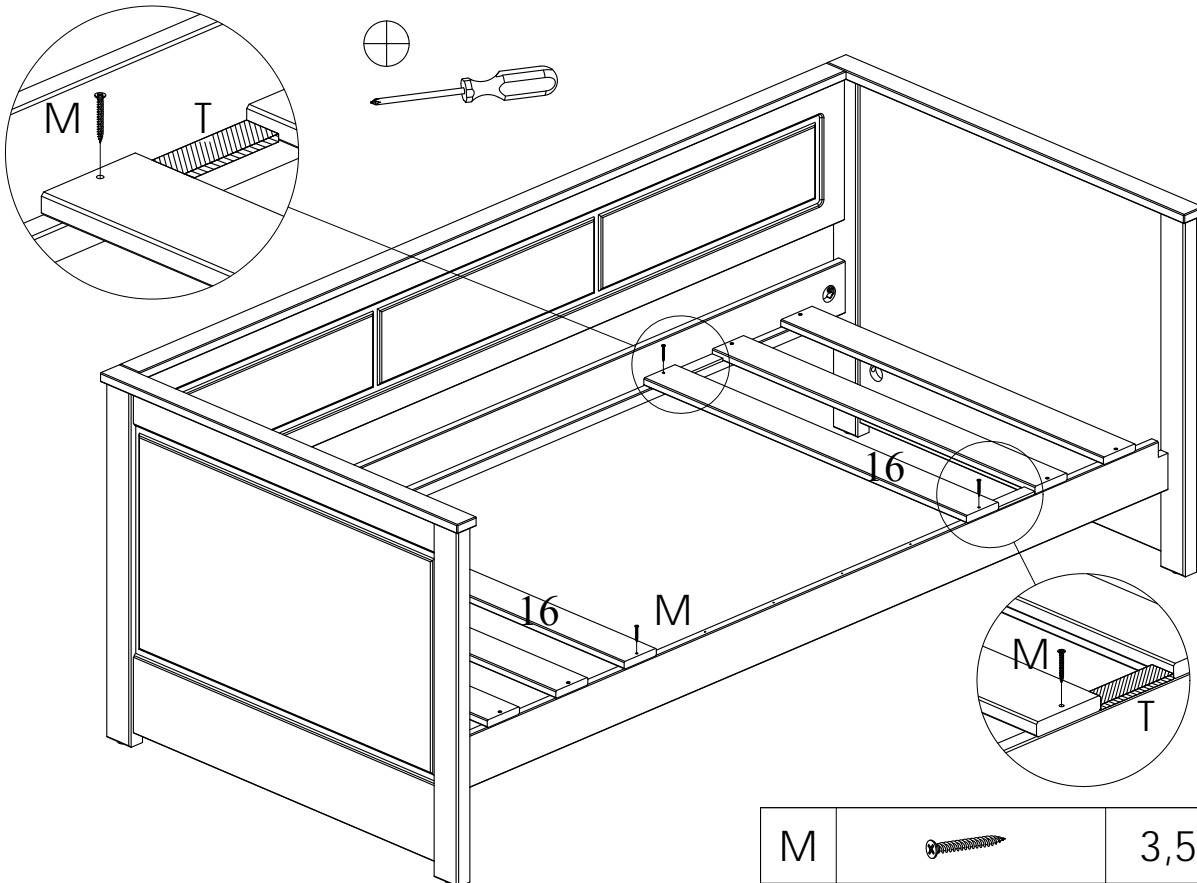
M		3,5x35	x4
---	--	--------	----



13



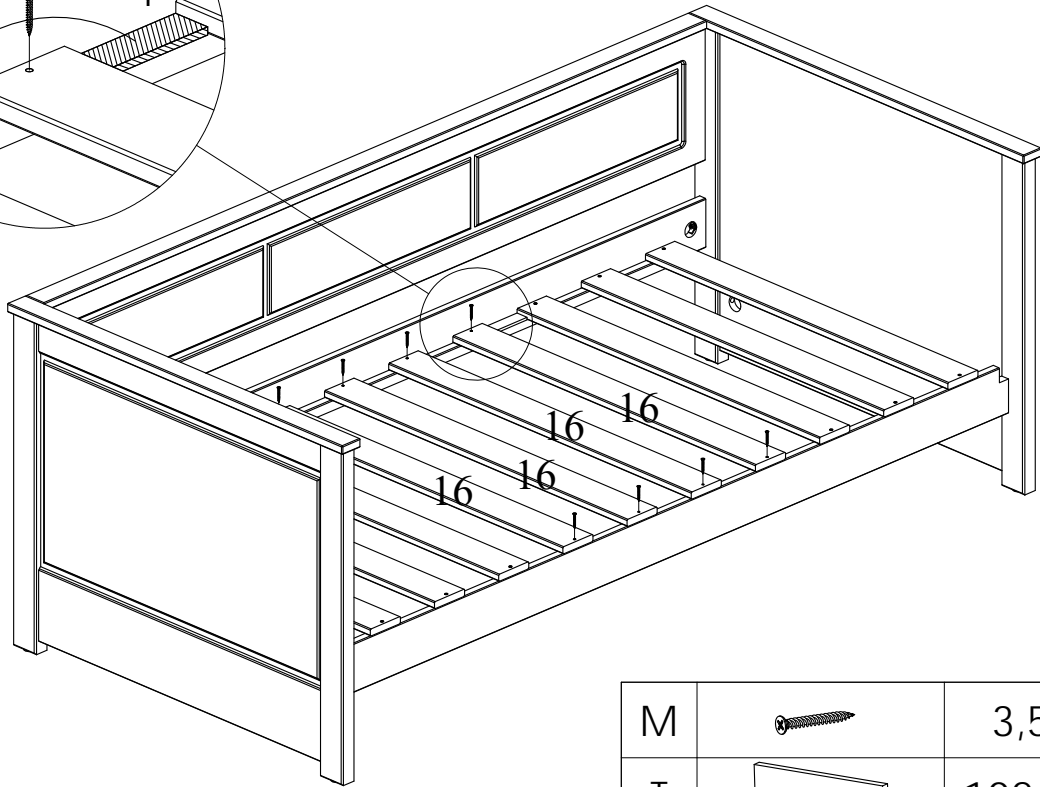
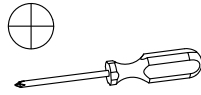
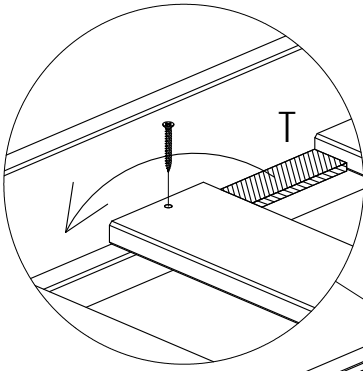
M		3,5x35	x4
T		102x30x6	x1



14



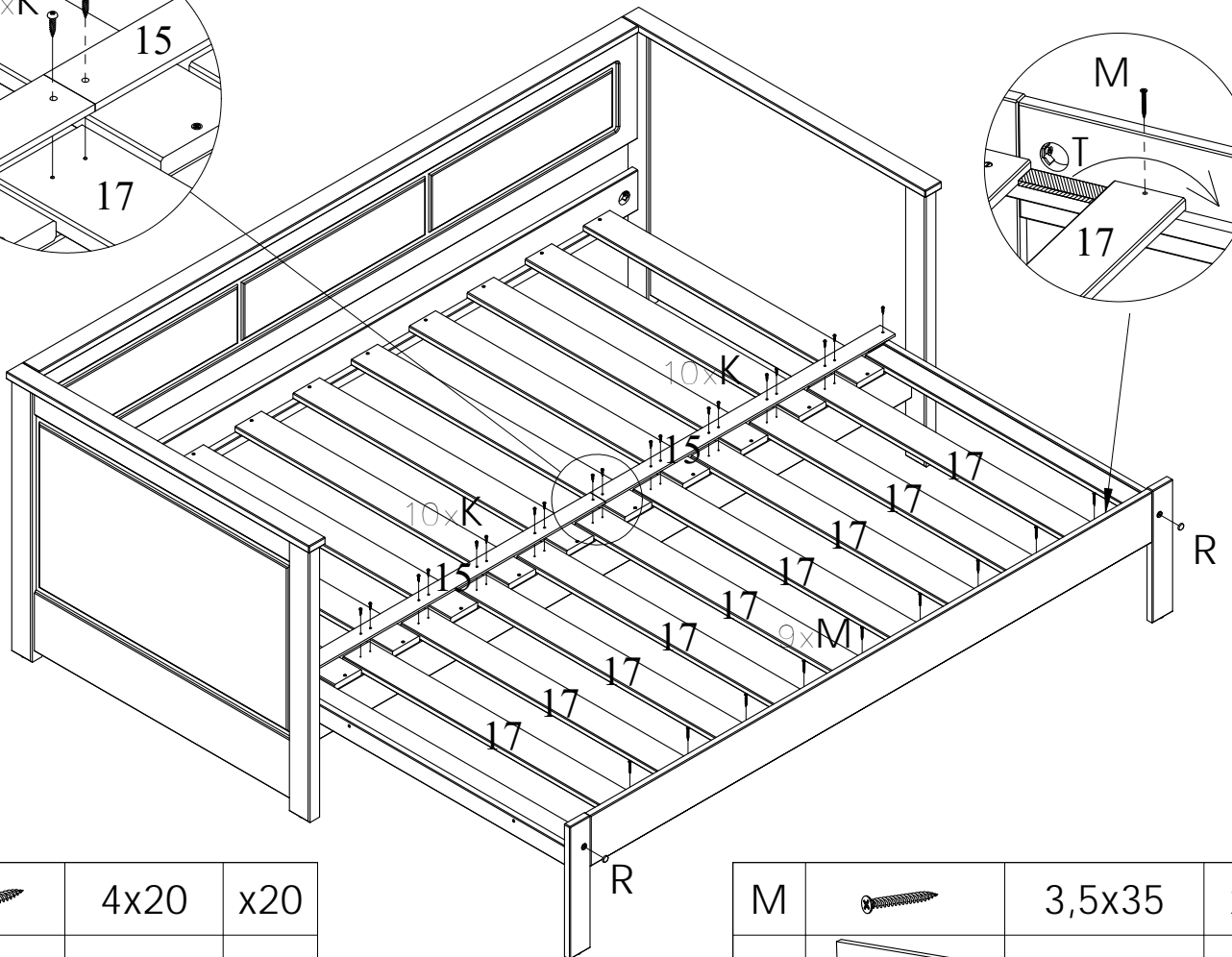
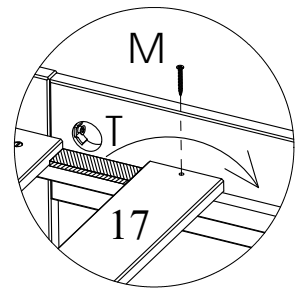
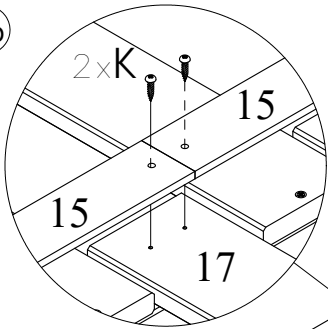
M		3,5x35	x4
T		102x30x6	x2



15





M		3,5x35	x8
T		102x30x6	x1

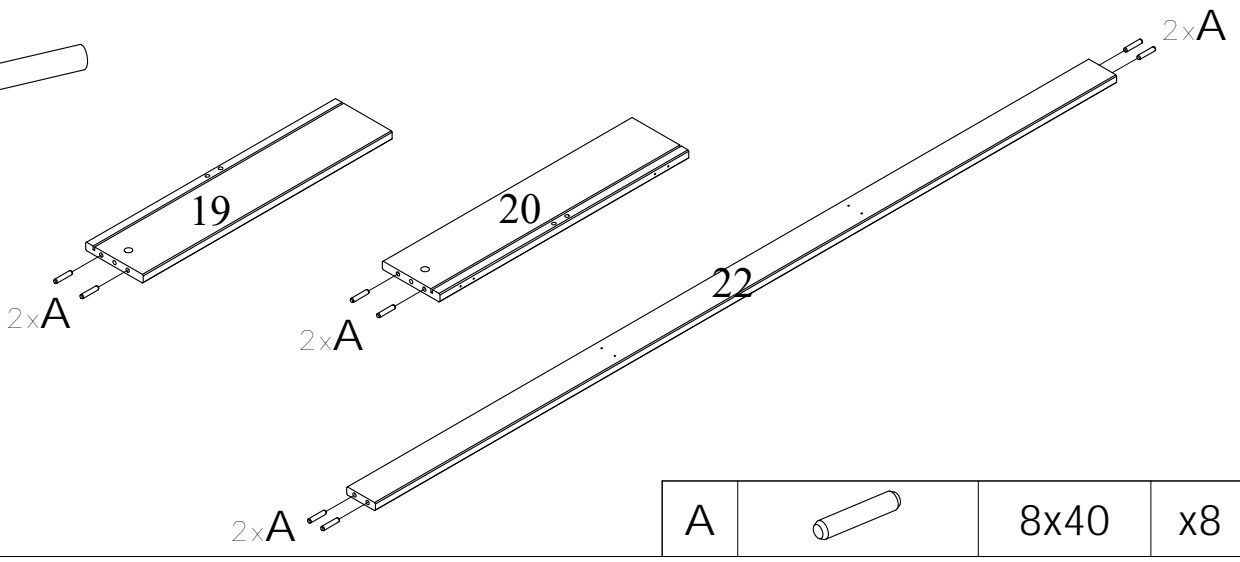
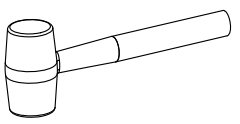
16



K		4x20	x20
R		D15x18	x2

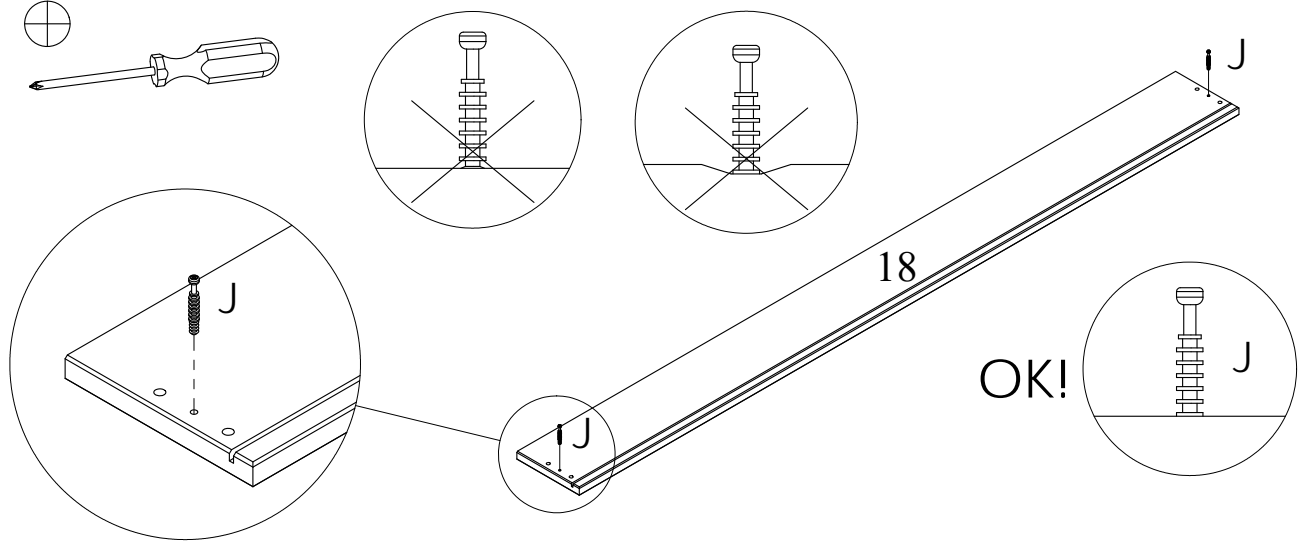
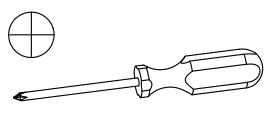
M		3,5x35	x9
T		102x30x6	x1

17



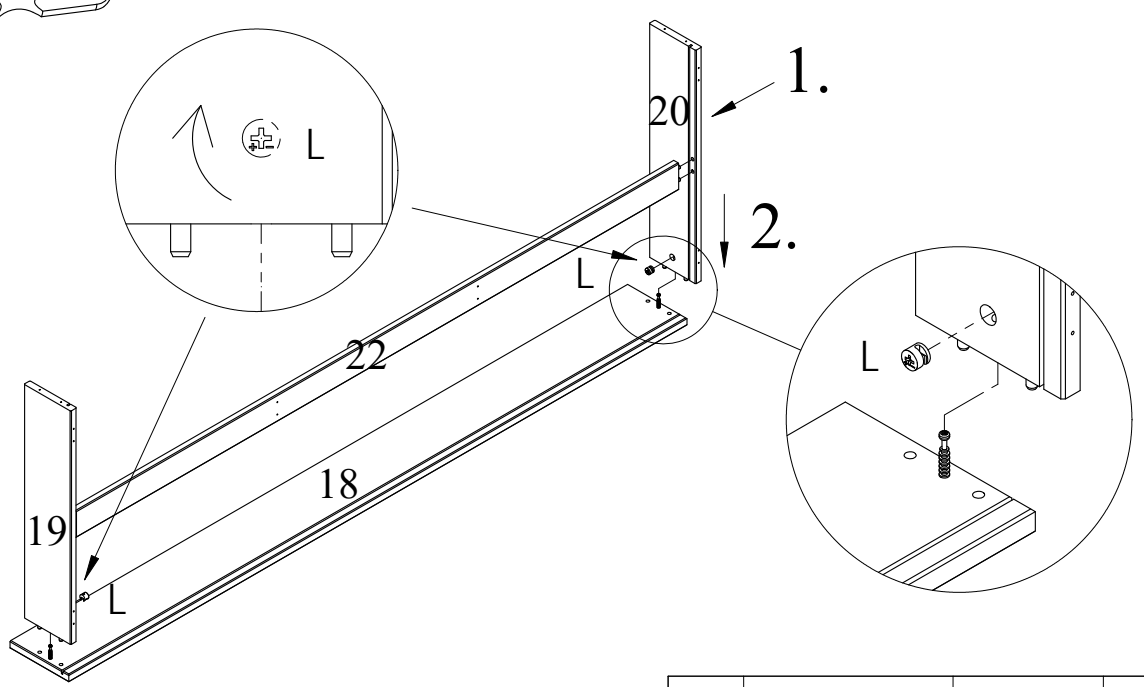
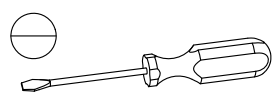
A		8x40	x8
---	--	------	----

18



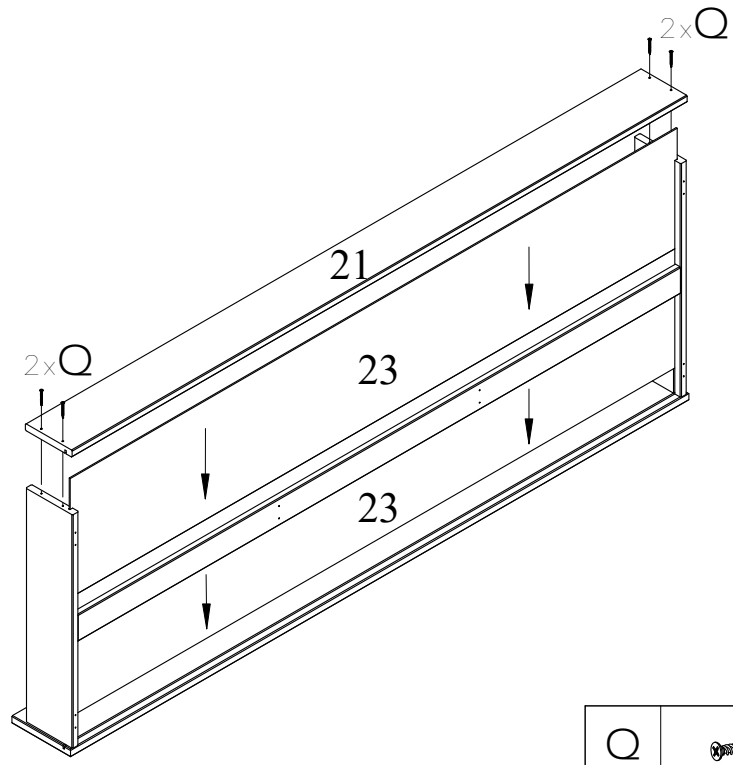
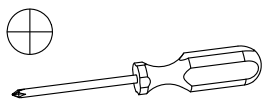
J		7x34	x2
---	--	------	----

19



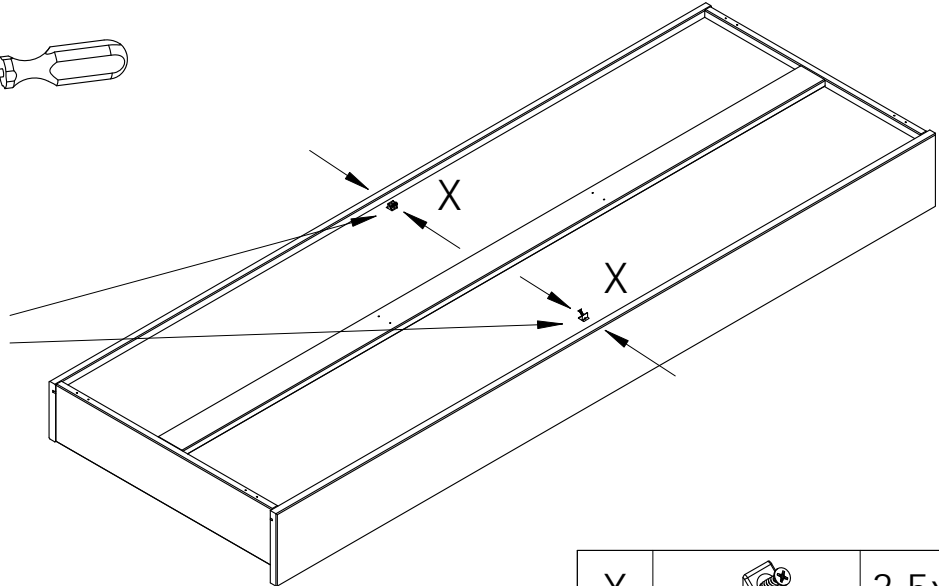
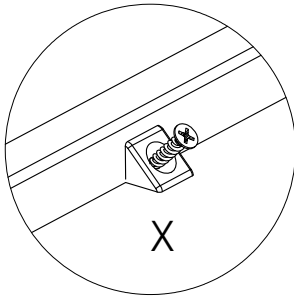
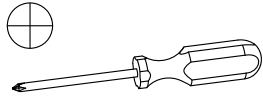
L		15x12	x2
---	--	-------	----

20



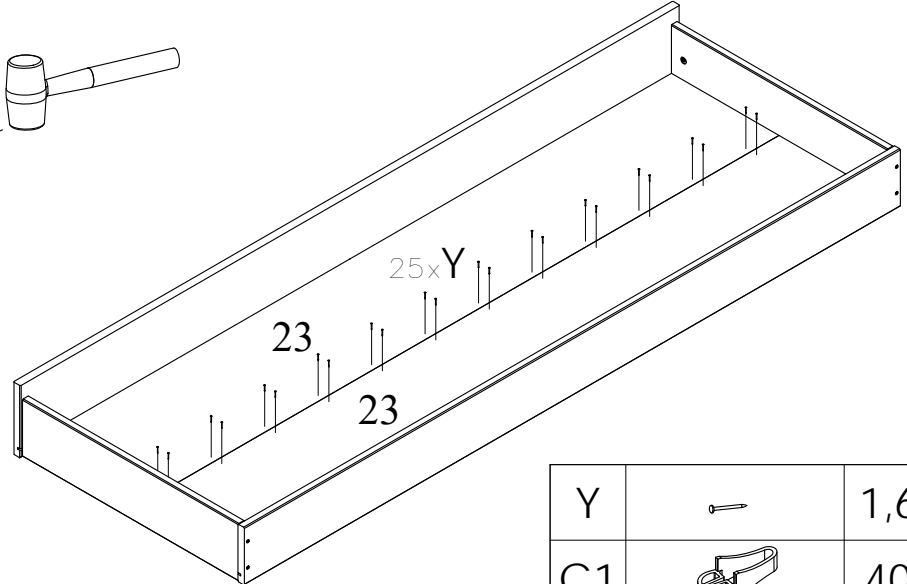
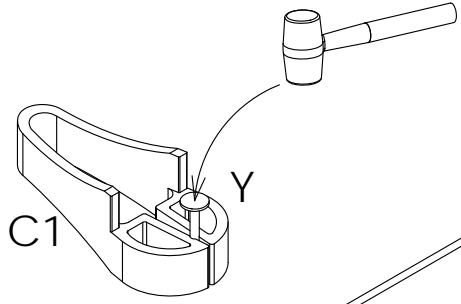
Q		3,5x40	x4
---	--	--------	----

21



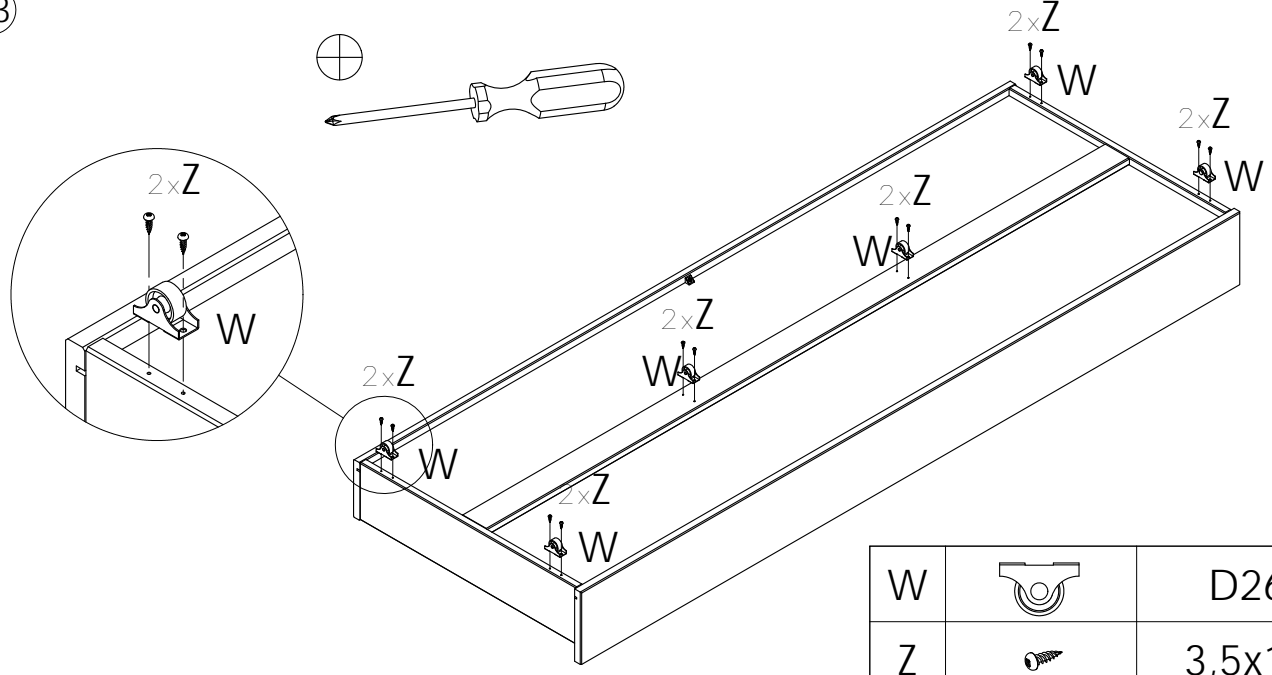
X		3,5x20	x2
---	--	--------	----

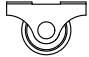

22



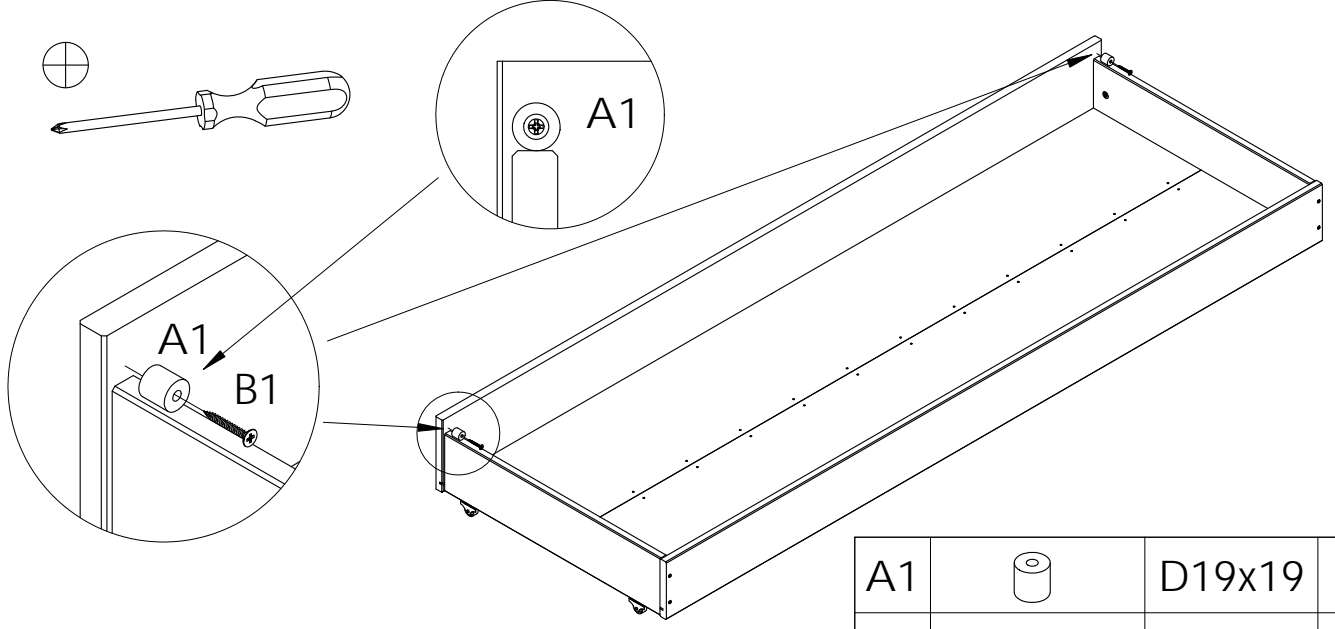
Y		1,6x16	x25
C1		40x20	x1



23



W		D26	x6
Z		3,5x16	x12

24



A1		D19x19	x2
B1		4x35	x2